

FPM-2150G

Industrial 15" XGA Flat Panel Monitor with Direct-VGA Port



Features

- 15" XGA TFT LCD with resolution up to 1024 x 768
- Robust design with aluminum front panel
- Hard anodic coating to prevent panel abrasion and acid corrosion
- Anti-reflective screen with tempered glass
- Supports stainless steel front panel (Customization)
- OSD control pad on front panel
- Supports industrial 24-48 V_{DC} power input (Optional)
- Supports transreflective LCD technology (Customization)
- Supports Panel, Wall, Desktop, Rack or VESA arm mounting
- NEMA4/IP65 Compliant
- RoHS Compliant

Introduction

FPM-2150G is an industrial-grade 15" TFT LCD flat panel monitor with an Al-Mg front panel, a modern appearance, and one of the most competitive prices for 15" LCD monitors on the market. The FPM-2150G is also extremely light and thin, and provides many industrial-grade features such as a NEMA4/IP65 certified front panel, stainless steel chassis, VESA mounting flexibility, and more. The FPM-2150G is especially suitable for industrial PCs such as IPC-610 or IPC-6806. This combination leads to an extremely reliable and tough system, ready to operate in a wide variety of industrial applications.

Specifications

General

- **Button Controls** OSD (Onscreen Display) control pad on front panel
- **Certification** BSMI, CCC, CE, FCC-B
- **Dimension (W x H x D)** 383 x 307 x 48 mm (15" x 12" x 1.9")
- **Enclosure** Front panel : Aluminum with hard anodic coating, Rear cover : SECC coating chassis
- **Mounting** Panel, wall, desktop, VESA arm, or 19" rackmount with optional mounting kit
- **Power Input** External 50 W power adapter, with AC 100 V ~ 240 V input and DC +12 V @ 4.16 A output
- **Video Port** VGA
- **Weight (Net)** 5.60 kg (12.34 lbs)

LCD Display

- **Display Type** XGA TFT LCD (CPT)
- **Display Size** 15"
- **Max. Resolution** 1024 x 768
- **Max. Color** 16.2M
- **Viewing Angle (H/V)°** 140, 125
- **Luminance (cd/m²)** 250
- **Backlight Life (hrs)** 40,000
- **Contrast Ratio** 500 : 1

Touchscreen (Optional)

- **Sensor** AMT
- **Type** 8W Resistive
- **Interface** RS-232 or USB
- **Lifespan** 10 million with a silicone rubber of R8 finger, writing rate is by 250g at 2 times/s
- **Light Transmission** > 80% (AMT)
- **OS Support** (RS-232) Windows® 95/98/ME/2000/XP/CE/NT, Linux (USB) Linux, Windows CE/XP
- **Power Consumption** +5 V @ 100 mA
- **Touch Resolution** Linearity

Environment

- **Operation Temperature** 0 ~ 50° C (32 ~ 122° F)
- **Storage Temperature** -20 ~ 60° C (-4 ~ 140° F)
- **Humidity (Storage)** 10 ~ 95% non-condensing
- **Waterproof** IEC529 IP65 (Front Panel)
- **Vibration** 5 ~ 500 Hz, 1 Grms (Operating, Random)

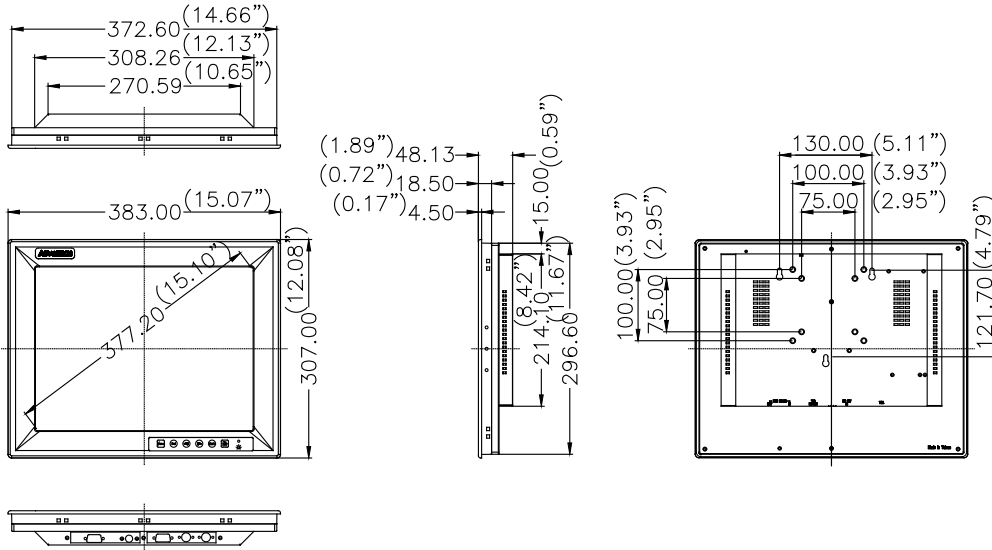
Ordering Information

- **FPM-2150G-XCE** Industrial 15" XGA Flat Panel Monitor
- **FPM-2150G-RCE** FPM-2150G-XCE with Resistive Touchscreen (RS-232 interface)
- **FPM-2150G-UCE** FPM-2150G-XCE with Resistive Touchscreen (USB interface)
- **PWR-246E** Ind. DC to DC Converter w/24-48 V_{DC} Power Input

Dimensions

Unit: mm

FPM-2150G



Cut out dimension 374.6 x 298.6 mm (14.74" x 11.75")

I/O View



Touchscreen
(RS-232/USB)

Power
Connector

VGA Port

Mounting with DC Source

