

W40L100-MLM1FG

40" UHD 4K PCAP Rack Mount Military Display



KEY FEATURES

- 40" Display with UHD 4K (3840 x 2160) native resolution
- AC 100~240V, Universal, $\pm 10\%$; DC 9~36V, $\pm 10\%$ (Optional)
- AR protection glass
- Compliant MIL-STD 810G/ MIL-STD 461E
- Convenient on-screen display controls
- Military-grade power connector (MIL-DTL-38999/1)
- Rack mount mechanical design, supports VESA mount

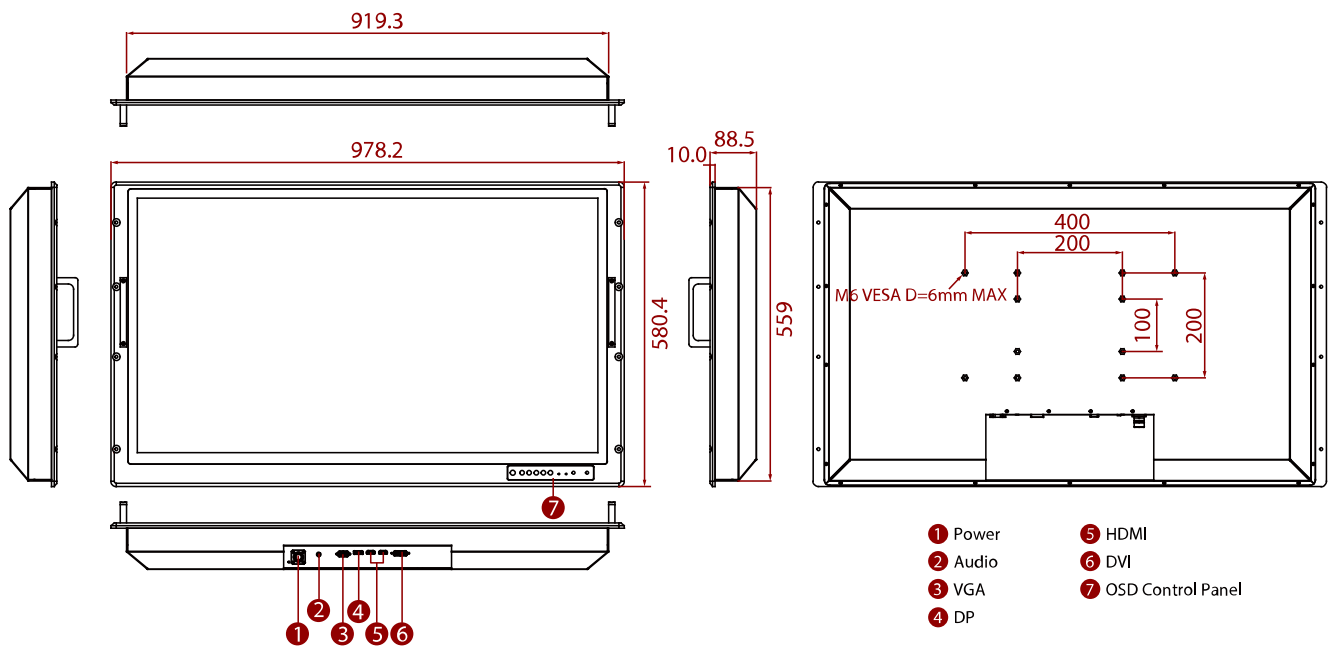


SPECIFICATIONS

Display	
Resolution	3840x2160
Contrast Ratio	5000:1
Display Color	1.07G (8-bit+FRC) Colors
Type	AR Protection Glass EMI ITO Glass(Optional)
Size	40.0 inches
Panel Brightness	350 nits
View Angles	89,89,89,89
Environment	
Operating Humidity	Up to 95%RH $\pm 3\%$
Storage Temperature	-10°C~60°C
Operating Temperature	0~50°C
IP rating	Front IP65
Certification	
Certification	CE, FCC
Compliance	
Compliance	MIL-STD 461E/F (Compliance) RE101 / RE102 CE101 / CE 101 RS101 / RS 103 CS101 / CS 106 / CS 109 / CS 114 / CS 115 / CS 116 MIL-STD 810F/G (Compliance) Vibration MIL-STD-810F/G Method 514.5 Humidity MIL-STD-810F/G Method 507.4 Transit Drop MIL-STD-810F/G Method 16.5 Salt Fog MIL-STD-810F/G Method 509.5 Low Pressure Operating 15,000 ft, Method 500.5 / Procedure II Low Pressure Storage 15,000 ft, Method 500.5 / Procedure I with EMI Glass / Touch(Optional)
IO Ports	
USB Port	1 x USB for Touch Screen(Optional)
Video	1 x DVI 1 x Display Port 1.2 1 x VGA 1 x HDMI 1.4(Optional) 1 x HDMI 2.0(Optional)
Serial Port	1 x RS232 for Remote Control(Optional)
Audio	1 x Audio Line In

Mechanical			
Dimension	978.2 x 580.4 x 88.5 mm	Mounting	VESA Mount
Enclosure	Metal	Cooling System	Fanless Design
Accessory			
Accessory	1 x Power Cord MIL-DTL-38999/1 (2m) 1 x VGA Cable (2m) 1 x DVI Cable (2m) HDMI Cable (2m) Manual Display Port Cable (2m)		
Power			
Power Rating	AC 100~240V, Universal, ±10% DC 9~36V, ±10% (Optional)		
Control			
Button	Power Decrease Increase Exit/ Auto Menu Day/ Night Lock/ Unlock (with a Light Sensor & LED Indicators: Power, Lock)		

DIMENSIONS UNIT:MM



NOTE

1. This is a simplified drawing and some components are not marked in detail.
2. If you require an external test report, Winmate will charge an NRE fee.
3. Please contact our sales representative if you need further product information.
4. All specifications are subject to change without prior notice.
5. The product shown in this datasheet is a standard model. For diagrams that contain customized or optional I/O, please contact the Winmate Sales Team for more information.