

W32L100-RKA3ML

32" Rack Mount Protection Glass Military Display



KEY FEATURES

- AC 100~240V, Universal, $\pm 10\%$; DC 9~36V, $\pm 10\%$ (Optional)
- AR protection glass
- Compliant MIL-STD 810G/ MIL-STD 461E
- High image quality, 1920 x 1080 pixels resolution
- Military-grade power connector (MIL-DTL-38999/1)
- Rack mount mechanical design, supports VESA mount



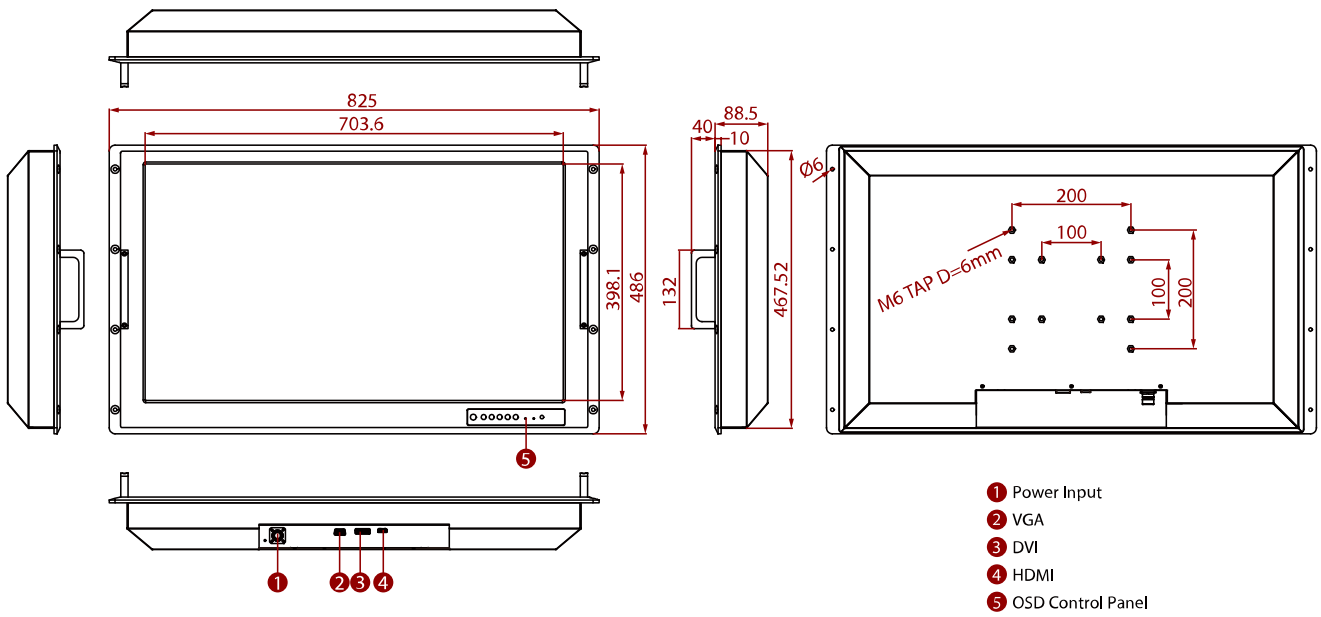
SPECIFICATIONS

Display	
Resolution	1920x1080
Contrast Ratio	4000:1
Display Color	16.7M Colors
Type	AR Protection Glass
Size	32.0 inches
Panel Brightness	400 nits
View Angles	89,89,89,89
Environment	
Operating Humidity	Up to 95%RH $\pm 3\%$
Storage Temperature	-10°C~60°C
Operating Temperature	0~50°C
Compliance	
Compliance	MIL-STD 461E/F (Compliance) RE101 / RE102 CE101 / CE 101 RS101 / RS 103 CS101 / CS 106 / CS 109 / CS 114 / CS 115 / CS 116 MIL-STD 810F/G (Compliance) Vibration MIL-STD-810F/G Method 514.5 Humidity MIL-STD-810F/G Method 507.4 Transit Drop MIL-STD-810F/G Method 516.5 with EMI Glass / Touch(Optional)
Certification	
Certification	CE, FCC
IO Ports	
Video	1 x 15 Pin D-Sub 5 x BNC 1 x DVI-D
Power	
Power Rating	AC 100~240V, Universal, $\pm 10\%$ DC 9~36V, $\pm 10\%$ (Optional)
Accessory	
Accessory	User Manual(Hardcopy) Power Cord MIL-DTL-38999/1 (2m) VGA Cable (2m) DVI Cable (2m) VGA to 5 BNC Shielding Cable (2m), *Not supplied

Control

Button	Power Decrease Increase Exit/ Auto Menu Day/ Night Lock/ Unlock (with a Light Sensor & LED Indicators: Power, Lock)
---------------	--

DIMENSIONS UNIT:MM



NOTE

1. This is a simplified drawing and some components are not marked in detail.
2. If you require an external test report, Winmate will charge an NRE fee.
3. Please contact our sales representative if you need further product information.
4. All specifications are subject to change without prior notice.
5. The product shown in this datasheet is a standard model. For diagrams that contain customized or optional I/O, please contact the Winmate Sales Team for more information.