

W32L100-MLA1FP

32" UHD 4K Rack Mount Military Display



KEY FEATURES

- 32" Display with UHD 4K (3840 x 2160) native resolution
- AC 100~240V, Universal, $\pm 10\%$; DC 9~36V, $\pm 10\%$ (Optional)
- Compliant MIL-STD 810G/ MIL-STD 461E
- Convenient on-screen display controls
- Military-grade power connector (MIL-DTL-38999/1)
- PCAP multi-touch screen
- Rack mount mechanical design, supports VESA mount



SPECIFICATIONS

Display	
Resolution	3840x2160
Contrast Ratio	1000:1
Display Color	1.07B Colors
Type	Projected Capacitive Multi Touch Screen
Size	32.0 inches
Panel Brightness	350 nits
View Angles	89,89,89,89
Certification	
Certification	CE, FCC
Environment	
Operating Humidity	Up to 95%RH $\pm 3\%$
Storage Temperature	-10°C~60°C
Operating Temperature	0~50°C
IP rating	Front IP65
Compliance	
Compliance	MIL-STD 461E/F (Compliance) RE101 / RE102 CE101 / CE 101 RS101 / RS 103 CS101 / CS 106 / CS 109 / CS 114 / CS 115 / CS 116 MIL-STD 810F/G (Compliance) Vibration MIL-STD-810F/G Method 514.5 Humidity MIL-STD-810F/G Method 507.4 Transit Drop MIL-STD-810F/G Method 16.5 Salt Fog MIL-STD-810F/G Method 509.5 Low Pressure Operating 15,000 ft, Method 500.5 / Procedure II Low Pressure Storage 15,000 ft, Method 500.5 / Procedure I with EMI Glass / Touch(Optional)
IO Ports	
USB Port	1 x USB for Touch Screen(Optional)
Video	1 x DVI 1 x Display Port 1.2 1 x VGA 1 x HDMI 1.4(Optional) 1 x HDMI 2.0(Optional)
Serial Port	1 x RS232 for Remote Control(Optional)
Audio	1 x Audio Line In
Front Control	Capacitive OSD : Power On/Off, On Screen Display
Indicator	Power off/ on Searching mode/ standby mode

Mechanical

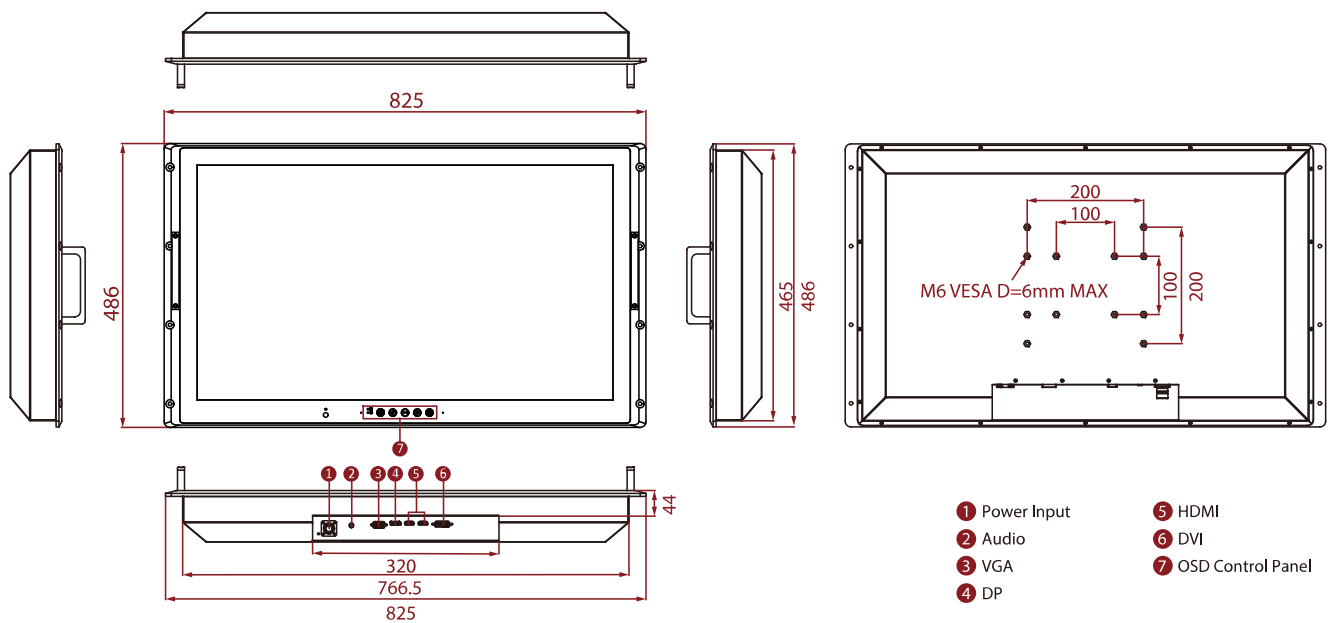
Dimension	825 x 486 x 54 mm	Mounting	VESA Mount
Enclosure	Metal	Cooling System	Fanless Design

Accessory

Accessory	1 x Power Cord MIL-DTL-38999/1 (2m) 1 x VGA Cable (2m) 1 x DVI Cable (2m) HDMI Cable (2m) Manual Display Port Cable (2m)
------------------	--

Power

Power Rating	AC 100~240V, Universal, ±10% DC 9~36V, ±10% (Optional)
---------------------	---

DIMENSIONS UNIT:MM**NOTE**

1. This is a simplified drawing and some components are not marked in detail.
2. If you require an external test report, Winmate will charge an NRE fee.
3. Please contact our sales representative if you need further product information.
4. All specifications are subject to change without prior notice.
5. The product shown in this datasheet is a standard model. For diagrams that contain customized or optional I/O, please contact the Winmate Sales Team for more information.