

W24L100-MRA1

24" Marine Display



KEY FEATURES

- Dimming knob control backlight brightness from nearly 0% to 100%
- IP66 aluminum housing with powder coating design (IP54 rear)
- 24V DC Isolated Power Module
- High quality touchscreen / AR protection glass for option
- Ease of use front panel OSD control Marine Display
- Enhanced shock and vibration resistance



SPECIFICATIONS

Display	
Resolution	1920x1080
Contrast Ratio	5000:1
Display Color	16.7M Colors
Type	Resistive Touch Screen (Optional Protection Glass w/o Touch Function)
Size	24.0 inches
Panel Brightness	300 nits
View Angles	89,89,89,89
Optional Function	Option: AR Glass
Environment	
Operating Humidity	5% to 95%
Operating Temperature	-15~55°C
Shock	15G, 11ms duration
Vibration	0.7g@DNVGL CG-0339 (Class A)
IP rating	IP66 (Front Side)
Certification	
Certification	DNVGL-CG-0339, IEC60945 4th, IACS E10, CE, FCC
IO Ports	
Serial Port	1 x RS-232 for Touch Screen(Optional) 1 x RS-232 for Remote Control(Optional)
Video	1 x D-SUB 15P Connector(Female) 1 x RCA Phono Plug 1 x S-Video (SVHS) Plug 1 x DVI-D Input 24 Pin Connector
Mechanical	
Dimension	593 x 356.7 x 62.7
Weight	9.7 kg
Mounting	Vesa Mount/ Panel Mount
Enclosure	Metal Housing with Aluminum Bezel
Cooling System	Fanless Design
Power	
Power Rating	24V DC power supply with Terminal block (Default, Isolation Resistance) (9~36V acceptable) (Only 24V DC have approval by DNVGL certificate)
Accessory	
Accessory	1 x User Manual. 1 x CD for Touchscreen Driver Tools. 1 x DVI Cable. (DVI-D 24 Pin Male to 24 Pin Male: 1.5m.)
Optional Accessory	1 x Transflective LCD User Guide. 1 x Standard Power Cord. Euro / U.S. Std Type, 1.8m

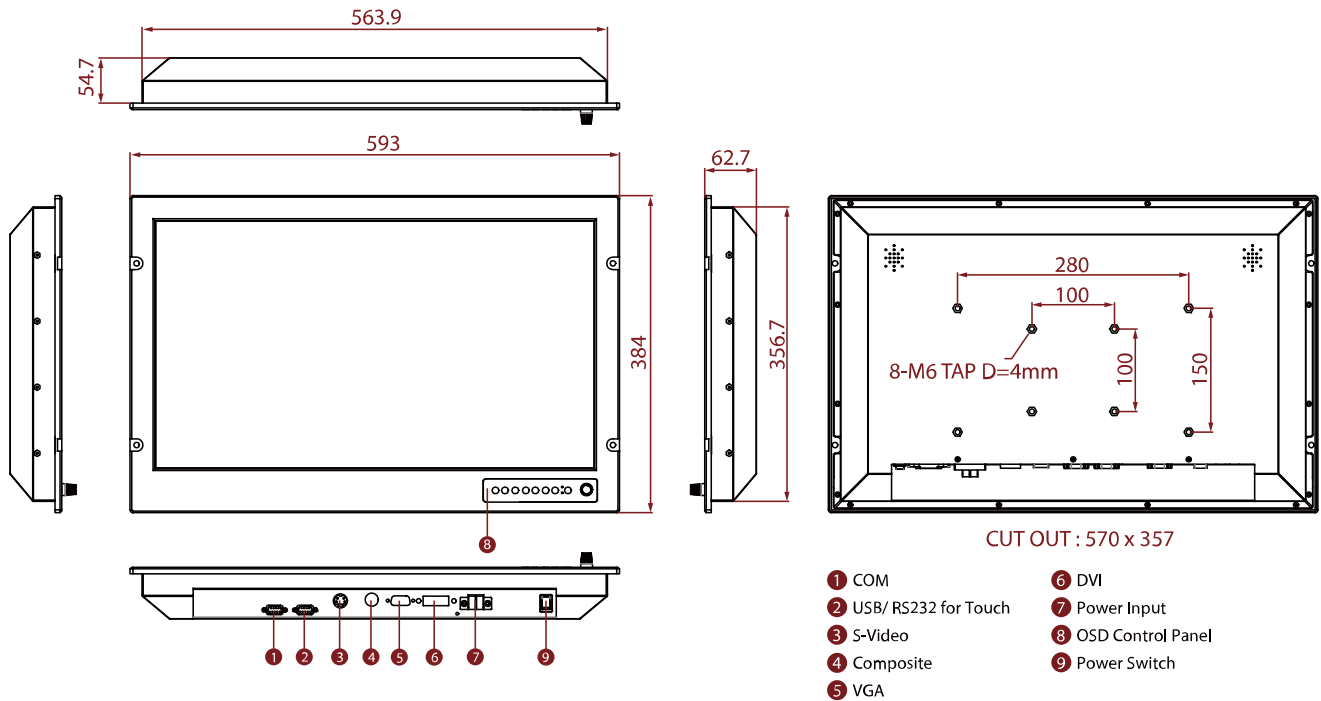
- 1 x Std VGA Cable.
- (D-SUB 15 Pin Male to 15 Pin Male: 1.8m)
- 2 x RS232 Std Serial Cable.
- (D-SUB 9 Pin Male to 9 Pin Female: 2m)
- 1 x S-Video Cable.
- (MD 4 Pin Male to 4 Pin Male: 1.8m)
- 1 x Composite Cable.
- (Std RCA 3.2mm Connector: 1.8m)
- 4 x M6 x 30 Black Screw Bolt with M6 Nut.
- M4 x 15 Black Screw Bolt.

Control

Button	
	Esc/PIP
	Auto adjustment
	Left
	Right/Source
	OK/Menu
	Up
	Down
	Power
	The Dimming Knob
	(with a Display Status LED indicator)

DIMENSIONS UNIT:MM

Winmate W24L100-MRA1



NOTE

1. This is a simplified drawing and some components are not marked in detail.
2. Please contact our sales representative if you need further product information.
3. All specifications are subject to change without prior notice.
4. The product shown in this datasheet is a standard model. For diagrams that contain customized or optional I/O, please contact the Winmate Sales Team for more information.