

W24L100-MLA2FP

23.8" PCAP Rack Mount Military Display



KEY FEATURES

- 23.8", 1920 x 1080 resolution
- AC 100~240V, Universal, $\pm 10\%$; DC 9~36V, $\pm 10\%$ (Optional)
- Compliant MIL-STD 810G/ MIL-STD 461E
- Convenient on-screen display controls
- Military-grade power connector (MIL-DTL-38999/1)
- PCAP multi-touch screen
- Rack mount mechanical design, supports VESA mount



SPECIFICATIONS

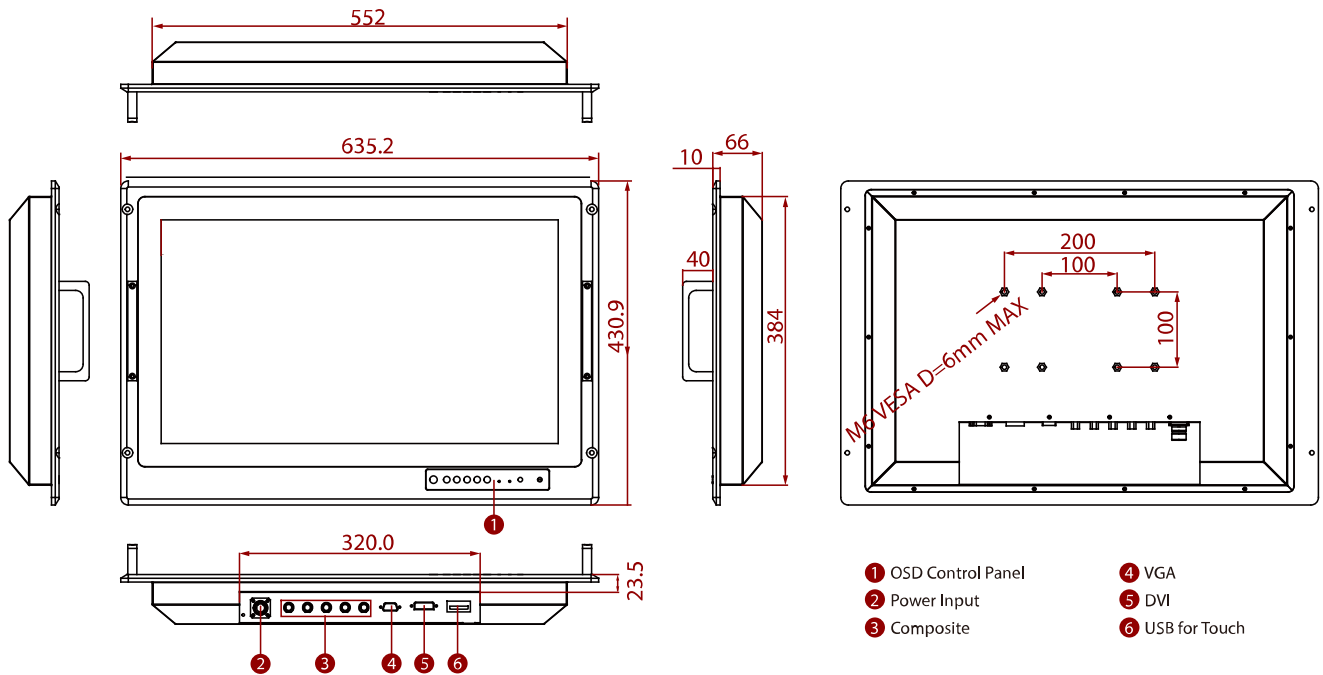
Display	
Resolution	1920x1080
Contrast Ratio	3000:1
Display Color	16.7M Colors
Type	Projected Capacitive Multi Touch Screen EMI ITO Glass(Optional)
Size	23.8 inches
Panel Brightness	250 nits
View Angles	89,89,89,89
Environment	
Operating Humidity	Up to 95%RH $\pm 3\%$
Storage Temperature	-10°C~60°C
Operating Temperature	0~50°C
IP rating	Front IP65
Compliance	
Compliance	MIL-STD 461E/F (Compliance) RE101 / RE102 CE101 / CE 101 RS101 / RS 103 CS101 / CS 106 / CS 109 / CS 114 / CS 115 / CS 116 MIL-STD 810F/G (Compliance) Vibration MIL-STD-810F/G Method 514.5 Humidity MIL-STD-810F/G Method 507.4 Transit Drop MIL-STD-810F/G Method 516.5 with EMI Glass / Touch(Optional)
Certification	
Certification	CE, FCC
IO Ports	
USB Port	1 x USB Touch Interface
Video	1 x 15 Pin D-Sub 5 x BNC 1 x DVI-D
Mechanical	
Dimension	635.2 x 430.9 x 66 mm
Enclosure	Metal Housing with Aluminum Bezel
Mounting	Rack Mount/ VESA Mount
Cooling System	Fanless Design
Accessory	
Accessory	User Manual(Hardcopy) Power Cord MIL-DTL-38999/1 (2m) VGA Cable (2m)

DVI Cable (2m)
 VGA to 5 BNC Shielding Cable (2m), *Not supplied
 for 32" model

Power	
Power Rating	AC 100~240V, Universal, ±10% DC 9~36V, ±10% (Optional)
Control	

Button	Power Decrease Increase Exit/ Auto Menu Day/ Night Lock/ Unlock (with a Light Sensor & LED Indicators: Power, Lock)
---------------	--

DIMENSIONS UNIT:MM



NOTE

1. This is a simplified drawing and some components are not marked in detail.
2. If you require an external test report, Winmate will charge an NRE fee.
3. Please contact our sales representative if you need further product information.
4. All specifications are subject to change without prior notice.
5. The product shown in this datasheet is a standard model. For diagrams that contain customized or optional I/O, please contact the Winmate Sales Team for more information.