

W24IK3S-RKS1ML

24" Military Console Rack Panel PC



KEY FEATURES

- 24" 1920 x 1200 High Resolution TFT LCD
- AC 110~240 V Power input default
- Anti-Corrosion Housing / Fanless
- Built-in Light Sensor for auto brightness control
- Compliant with MIL-STD-810G/F , MIL-STD-461E/F
- Convenient On-Screen Display Controls
- Flush Rack / Rack Mount Mechanical Design (8U)
- Intel® Core™ i5-7200U 2.5 GHz Processor
- Isolation DC 9~36 V Power input (Optional)
- Military Grade Power Connector (MIL-DTL-38999/1)



SPECIFICATIONS

Display	
Resolution	1920x1200
Contrast Ratio	1000:1
View Angles	89,89,89,89
Size	24.0 inches
Panel Brightness	300 nits
Type	AR Protection Glass
System Specification	
Processor	Intel® Core™ i5-7200U (3M Cache, up to 3.10 GHz) Intel® Core™ i5-7300U (3M Cache, up to 3.50 GHz)
Memory	1 x SO-DIMM, DDR4 2133 MHz, 4GB 8GB(Optional) 16GB(Optional)
Storage	1 x M.2 2242 SSD 64GB M.2 2242 SSD up to 512GB(Optional)
Expansion	1 x M.2 2242 B-key Slot (for SSD) 1 x M.2 2232 E-Key Slot (for half size Wifi module)
Ethernet controller	Intel® Ethernet Controller I211-AT + Intel® Ethernet Connection I219-LM
Security	TPM 2.0
Operating System	Windows 10 IoT Enterprise(Optional) Linux Ubuntu 18.04 (Optional)
Environment	
Operating Humidity	10% to 95% (Non-Condensing)
Operating Temperature	0~50°C
Storage Temperature	-10~60°C
Shock	Method 516.6 / Procedure I
Vibration	5 ~ 500 Hz, 1.48 & 1.90 & 2.24 Grms Method 514.6 / Procedure I
IP rating	Front IP65
Drop	Method 516.6 / Procedure IV
Mechanical	
Dimension	609.5 x 399.3 x 76.2 mm
Mounting	Rack Mount / Panel Mount / VESA Mount
Enclosure	Metal Housing with Aluminum Bezel
Cooling System	Fanless Design
IO Ports	
USB Port	2 x USB 3.0
Serial Port	1 x RS232/422/485(Default RS232) 1 x RS232(Optional)
Video	1 x HDMI(Optional)
Audio	2 x Speaker
LAN	2 x RJ-45

Accessory

Accessory	Driver CD User Manual Power Cord MIL-DTL-38999/1
-----------	--

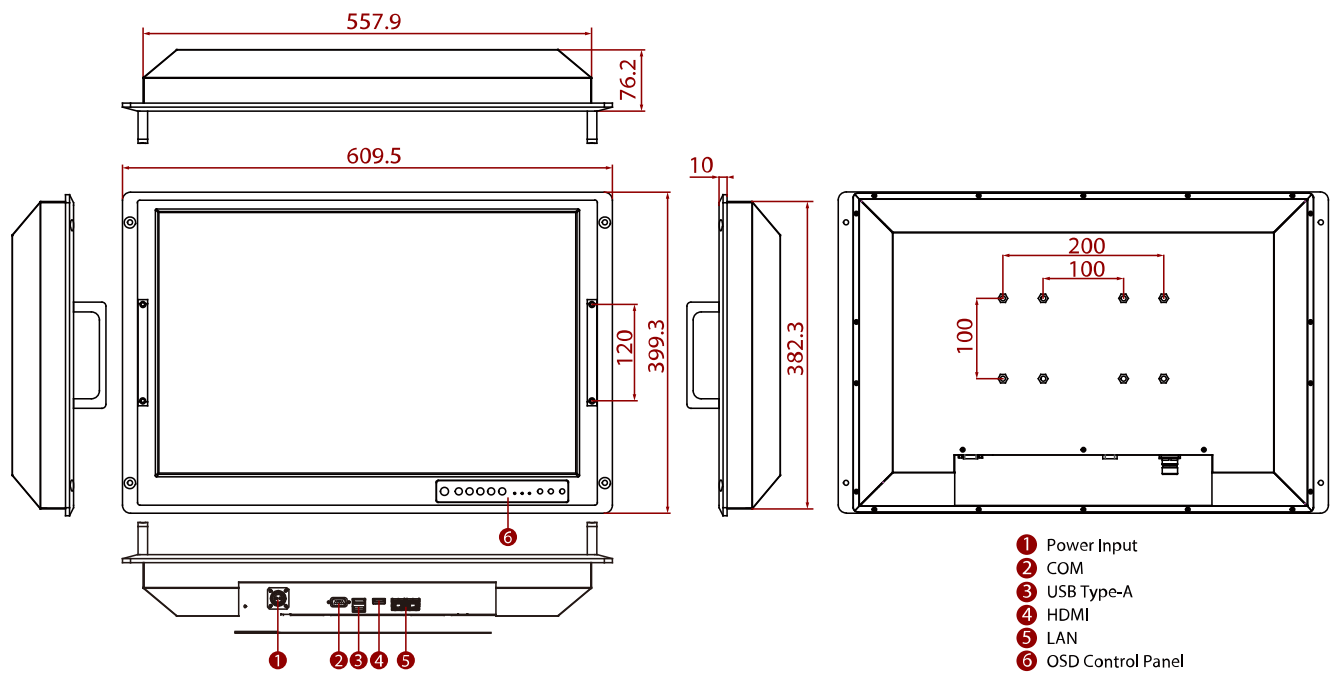
Power

Power Rating	AC 100~240V, Universal, $\pm 10\%$ DC 9~36V, $\pm 10\%$ (Optional)
--------------	---

Control

Button	8 Key OSD Control Pad: Power, Brightness DOWN, Brightness UP, Night, Day, Auto / Manual, Reset, Lock (with LED Indicators: Power status, HDD Status, Lock Status)
--------	---

DIMENSIONS UNIT:MM



NOTE

1. This is a simplified drawing and some components are not marked in detail.
2. Please contact our sales representative if you need further product information.
3. All specifications are subject to change without prior notice.
4. The product shown in this datasheet is a standard model. For diagrams that contain customized or optional I/O, please contact the Winmate Sales Team for more information.