

W22L100-SPA369-P1

21.5" IP69K Stainless P-Series Display



KEY FEATURES

- A true flat, easy-to-clean front surface with edge-to-edge design
- Full IP69K waterproof enclosure, good corrosion resistance
- Projected capacitive multi-touch screen
- Supports VESA mount and Yoke mount stand
- SUS 316/ AISI 316 stainless steel for food and chemical industries
- Waterproof Conduit pipe for extra protection
- Waterproof sealed conduit pipe for cable protection



SPECIFICATIONS

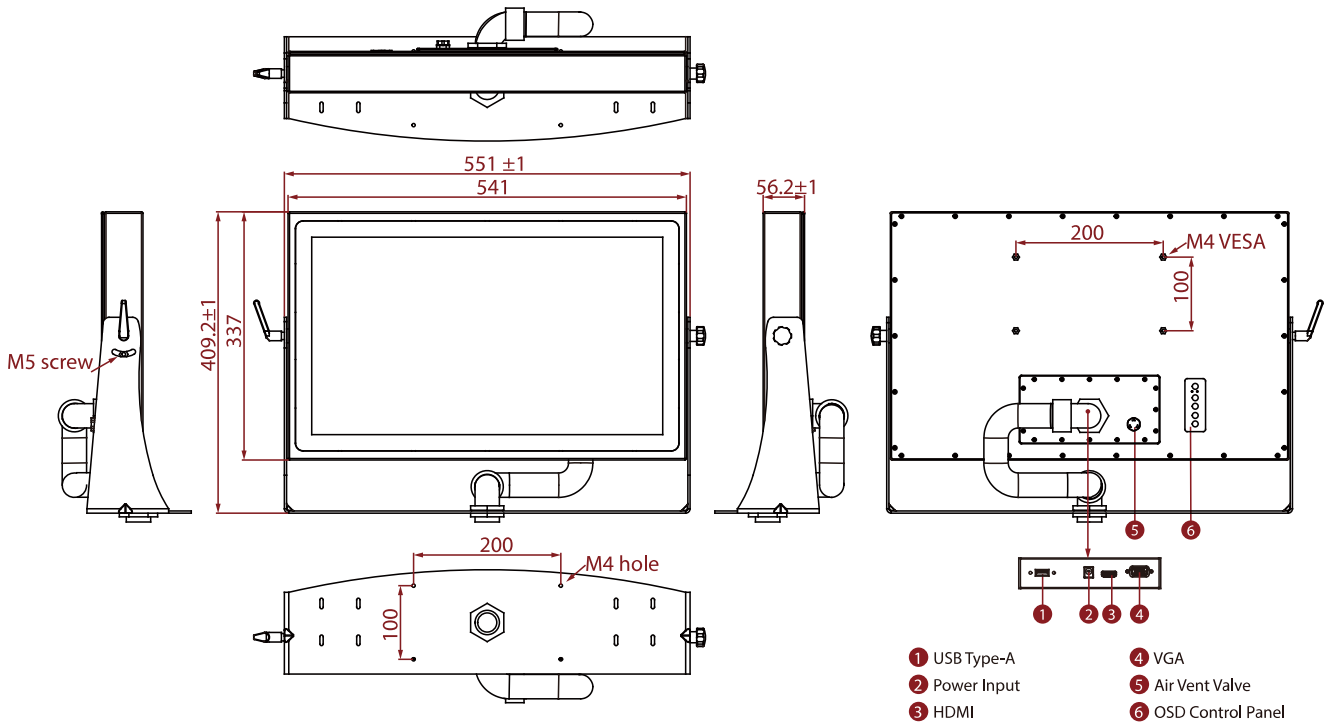
Display			
Resolution	1920x1080	Size	21.5 inches
Contrast Ratio	3000:1	Panel Brightness	250 nits
Display Color	16.7M Colors	View Angles	89,89,89,89
Type	Projected Capacitive Multi Touch Screen		
Mechanical			
Dimension	541 x 337 x 56.2 mm	Mounting	VESA Mount Yoke Mount
Enclosure	Stainless Housing	Cooling System	Fanless design
Environment			
Operating Humidity	10% to 90% (non-condensing)	Operating Temperature	0~45°C
Storage Temperature	-20~60°C	IP rating	IP69K
Certification			
Certification	CE, FCC		
IO Ports			
USB Port	1x USB type-A for touch screen control	Video	1x VGA output 1x HDMI output(Optional)
Indicator	1 x LED Indicator for power 1 x LED Indicator for status		
Control			
Button	1 x Power Button 1 x Adjust up button 1 x Adjust down button 1 x ESC (Auto) button 1 x OK (Menu) button		
Accessory			
Accessory	1 x Waterproof Conduit 1.5m 1 x Waterproof Conduit 0.3m 2 x Elbow for connect the conduit 1 x AC to DC power adapter with power cord 1 x Open wire cable for phoenix connector 1 x External USB cable for touchscreen control 1 x External HDMI cable 1 x D-sub15(male) to RJ45 adapter	Optional Accessory	Yoke mount stand kit (It'll charge you for NRE cost)

1 x D-sub15(female) to RJ45 adapter
 1 x External RJ45 male to male cable
 Manual
 VESA screws

Power

Power Rating 12V DC in
 9-36V DC(Optional)

DIMENSIONS UNIT:MM



NOTE

1. This is a simplified drawing and some components are not marked in detail.
2. Please contact our sales representative if you need further product information.
3. All specifications are subject to change without prior notice.
4. The product shown in this datasheet is a standard model. For diagrams that contain customized or optional I/O, please contact the Winmate Sales Team for more information.