

# W22L100-MLA3FP

## 21.5" PCAP Rack Mount Military Display



### KEY FEATURES

- 21.5", 1920 x 1080 resolution
- AC 100~240V, Universal,  $\pm 10\%$ ; DC 9~36V,  $\pm 10\%$  (Optional)
- Compliant MIL-STD 810G/ MIL-STD 461E
- Convenient on-screen display controls
- Military-grade power connector (MIL-DTL-38999/1)
- PCAP multi-touch screen
- Rack mount mechanical design, supports VESA mount



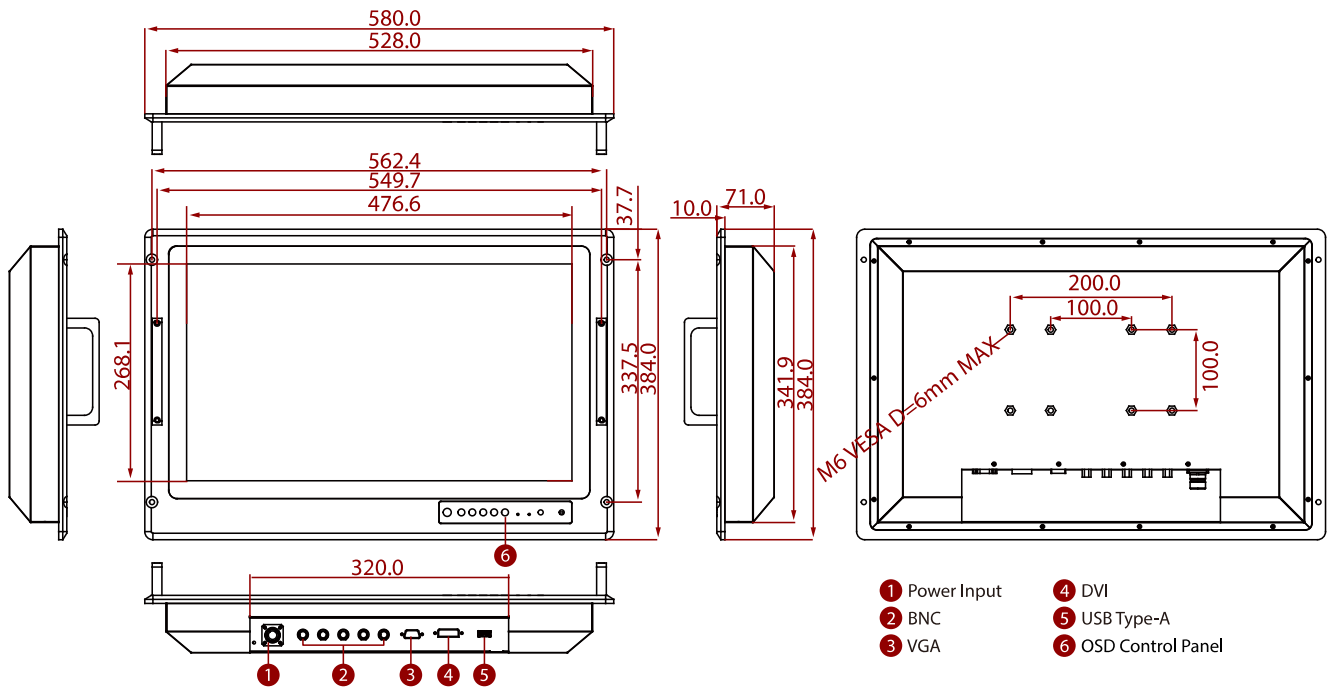
### SPECIFICATIONS

Display	
<b>Resolution</b>	1920x1080
<b>Contrast Ratio</b>	3000:1
<b>Display Color</b>	16.7M Colors
<b>Type</b>	Projected Capacitive Multi Touch Screen
<b>Size</b>	21.5 inches
<b>Panel Brightness</b>	250 nits
<b>View Angles</b>	89,89,89,89
Environment	
<b>Operating Humidity</b>	Up to 95%RH $\pm 3\%$
<b>Storage Temperature</b>	-10°C~60°C
<b>Operating Temperature</b>	0~50°C
<b>IP rating</b>	Front IP65
Compliance	
<b>Compliance</b>	MIL-STD 461E/F (Compliance) RE101 / RE102 CE101 / CE 101 RS101 / RS 103 CS101 / CS 106 / CS 109 / CS 114 / CS 115 / CS 116 MIL-STD 810F/G (Compliance) Vibration MIL-STD-810F/G Method 514.5 Humidity MIL-STD-810F/G Method 507.4 Transit Drop MIL-STD-810F/G Method 516.5 with EMI Glass / Touch(Optional)
Certification	
<b>Certification</b>	CE, FCC
IO Ports	
<b>USB Port</b>	1 x USB Touch Interface
<b>Video</b>	1 x 15 Pin D-Sub 5 x BNC 1 x DVI-D
Mechanical	
<b>Dimension</b>	580 x 384 x 71 mm
<b>Enclosure</b>	Metal Housing with Aluminum Bezel
<b>Mounting</b>	Rack Mount/ VESA Mount
<b>Cooling System</b>	Fanless Design
Accessory	
<b>Accessory</b>	User Manual(Hardcopy) Power Cord MIL-DTL-38999/1 (2m) VGA Cable (2m) DVI Cable (2m)

VGA to 5 BNC Shielding Cable (2m), \*Not supplied for 32" model

Power	
Power Rating	AC 100~240V, Universal, ±10% DC 9~36V, ±10% (Optional)
Control	
Button	Power Decrease Increase Exit/ Auto Menu Day/ Night Lock/ Unlock (with a Light Sensor & LED Indicators: Power, Lock)

**DIMENSIONS** UNIT:MM



**NOTE**

1. This is a simplified drawing and some components are not marked in detail.
2. If you require an external test report, Winmate will charge an NRE fee.
3. Please contact our sales representative if you need further product information.
4. All specifications are subject to change without prior notice.
5. The product shown in this datasheet is a standard model. For diagrams that contain customized or optional I/O, please contact the Winmate Sales Team for more information.