

# W10L100-PCH1-POE

## 10.1" PoE Chassis Display



### KEY FEATURES

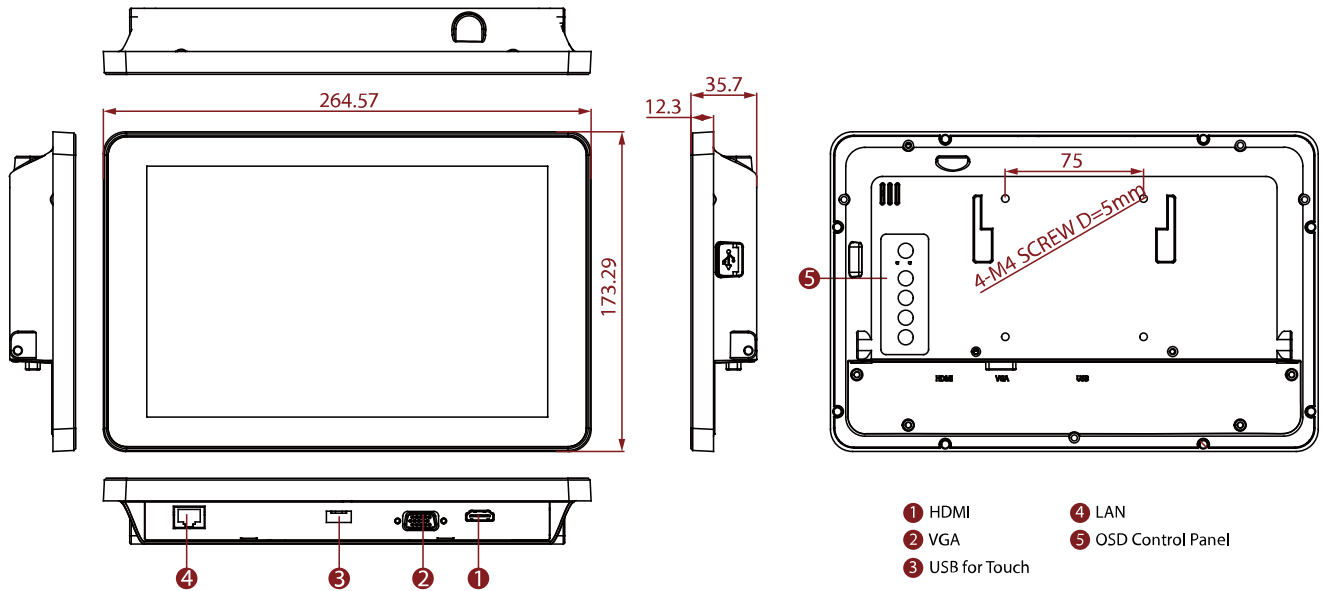
- 10.1" 1024 x 600 Resolution
- Front IP65 Water and Dust Proof
- Projected Capacitive Multi-Touch (P-Cap)
- Stylish and elegant design
- Supports PoE
- USB port for touch
- VGA input and variety of optional connectors



### SPECIFICATIONS

Display			
Resolution	1024x600	Size	10.1 inches
Contrast Ratio	800:1	Panel Brightness	450 nits
Display Color	16.7M Colors	View Angles	75,80,80,80
Type	Projected Capacitive Multi Touch Screen Protection Glass(Optional)		
Environment			
Operating Humidity	10% to 90% (non-condensing)	Operating Temperature	0~50°C
Storage Temperature	-10~60°C		
Certification			
Certification	CE, FCC		
IO Ports			
USB Port	1 x USB for Touch Screen	Video	1 x VGA 1 x HDMI(Optional)
Audio	1 x Speaker (Optional)	LAN	1 x PoE for Power Input
Mechanical			
Dimension	217.21 x 173.29 x 35.7 mm	Mounting	VESA Mount/ Panel Mount
Enclosure	Aluminum	Cooling System	Fanless Design
Accessory			
Accessory	1 x USB Cable for Touch 1 x VGA Cable 1 x HDMI Cable		
Power			
POE	Power Device (PD) follows IEEE 802.3at (25 W), IEEE 802.3af (15 W)		
Control			
Button	5 Keys: -, +, Power, Esc, Enter (with LED Indicators: Power on, Stand by)		

### DIMENSIONS UNIT:MM



## NOTE

1. This is a simplified drawing and some components are not marked in detail.
2. Please contact our sales representative if you need further product information.
3. All specifications are subject to change without prior notice.
4. The product shown in this datasheet is a standard model. For diagrams that contain customized or optional I/O, please contact the Winmate Sales Team for more information.