

W07L100-GSO1

7" G-WIN GS Series Display



KEY FEATURES

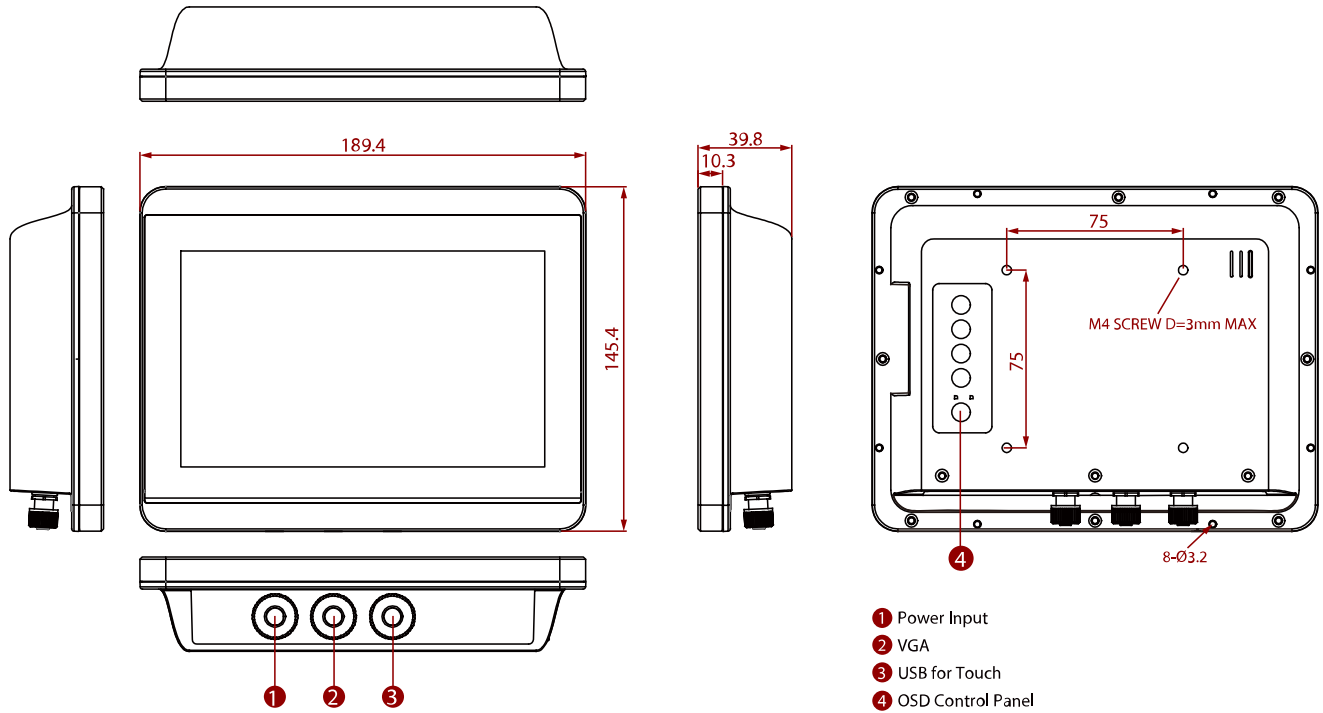
- 7" 1024 x 600 Resolution
- Full IP65 Water and Dust Proof
- Fully rugged elegant, edge-to-edge design
- M12 Waterproof Connectors
- Projected Capacitive Multi-Touch (PCAP)



SPECIFICATIONS

Display			
Resolution	1024x600	Size	7.0 inches
Contrast Ratio	700:1	Panel Brightness	1000 nits
Display Color	16.2M Colors	View Angles	75,75,75,70
Type	Projected Capacitive Multi Touch Screen Protection Glass(Optional)		
Environment			
Operating Humidity	10% to 95% RH	Operating Temperature	-15 °C to 55 °C
Storage Temperature	-30°C to 60°C	Shock	40g for 11ms
Vibration	1.48/1.90/2.24 g rms for XYZ/ 5-500Hz	IP rating	Full IP65
Certification			
Certification	Compliant with MIL-STD-810F/G for vibration / shock, CE, FCC		
IO Ports			
USB Port	1 x USB for Touch Screen	Video	1 x VGA
Audio	1 x Speaker		
Mechanical			
Dimension	189.4 x 145.4 x 39.8 mm	Mounting	VESA Mount/ Panel Mount
Enclosure	Metal Housing with Aluminum Bezel	Cooling System	Fanless Design
Accessory			
Accessory	Quick Start Guide(Hardcopy) AC Adapter(For 7" Display only) M12 Power Cable(Not Supplied with 7" Display) VGA Cable USB for Touch Cable I/O Protective Cap x 3		
Power			
Power Rating	12V DC (M12 type)		
Control			
Button	5 Keys: -, +, Power, Esc, Enter (with LED Indicators: Power on, Stand by)		

DIMENSIONS UNIT:MM



NOTE

1. This is a simplified drawing and some components are not marked in detail.
2. The product shown in this datasheet is a standard model. For diagrams that contain customized or optional I/O, please contact the Winmate Sales Team for more information.
3. All specifications are subject to change without prior notice.
4. The product shown in this datasheet is a standard model. For diagrams that contain customized or optional I/O, please contact the Winmate Sales Team for more information.