

STORM-100



- Intel® Core™-7600U (3.9 GHz)
- 1000 Nits Brightness
- 6 Programmable Function Keys
- GFG Touchscreen
- Dual battery for extended operation
- Command and control joystick
- Expansion Slot
- IP65 & certified to MIL-STD 810 & 461

Specifications

SYSTEM

| | |
|------------------------|--|
| CPU | Intel® Core™-7600U (3.9 GHz) |
| Memory type | DDR3L SO DIMM Socket x1, up to 8 GB |
| Storage Device | M.2(NGFF) SSD,64 GB (Default) |
| Communication | Wi-Fi 802.11 b/g/n BT V4.1 |
| Navigation | GPS, GLONASS |
| WWAN (option) | LTE via mini-card slot (Optional) |
| Video Capture (option) | NTSC-PAL, HD-SDI (Analog to Digital/ PAL) |
| Camera | 2MP front camera, 5 MP auto-focus rear camera with flash |
| Sensor | G-sensor, E-compass, Gyro-sensor, light-sensor |
| Expansion Slot | Docking connector x 1, GNSS antenna pass-through connector x 1, WWAN antenna pass-through connector x 1 (Optional) |
| Barcode (option) | 2D Barcode scanner, OPTICON MDI-4100-USB (Optional) |
| HF RFID (option) | ISO 15693 (R/W), ISO 18092 (R/W), ISO 14443-A (R/W), ISO 14443-B (Only UID), Dependant on card type |
| Physical Key | Left: PWR/SHIFT Right: 1-3 Programmable function keys 4. Enter 5. Up 6. Down |

DISPLAY

| | |
|------------|-------------------------------------|
| LCD | 10.1 TFT-CD/16:9 with LED backlight |
| Resolution | 1920 x1200 pixel |
| Maximum | 16.7 M |
| Brightness | 1000 Nits |

POWER SUPPLY

| | |
|--------------|--|
| Power | AC 100~240V, 50~60 Hz, DC 19V/3.42A(65W) |
| Battery | Dual Li-ion High Capacity Batteries, up to 10 Hours Battery Life |
| Master/Slave | Hot-swappable battery: 14.4V, 2270 mAh,32.7W |

TOUCH SCREEN

| | |
|------------|-----------------------|
| Touch Type | 10.1 GFG Touch Screen |
|------------|-----------------------|

RIGHT I/O

| | |
|----------|---|
| Display | 1 x HDMI (Fisher Interface-Optional) |
| USB | 1 x USB 3.0 (Fisher Interface-Optional), 2 x USB 2.0 (Fisher Interface) |
| Ethernet | 1 x RJ45 (Fisher Interface) |
| COM | 1 (RS232/422/485) (Fisher Interface) |
| DC-in | 1 x 100V-240V, 50Hz-60Hz, 65W Output:19V (Fisher Interface) |

LEFT I/O

| | |
|---------|----------------|
| Audio | 1 x Audio Jack |
| MicroSD | 1 |
| SIM | 1 |

OS SUPPORT LIST

| | |
|---------|---|
| Windows | Windows® 10 IoT Enterprise 64bit (Default) Windows® 7 for Skylake (Optional) |
| Linux | Fedora 15, Ubuntu, Red Hat |

MECHANICAL AND ENVIRONMENT

| | |
|--------------------|---|
| Dimension | 374.6 x 221.2 x 54.8 mm |
| Color | Yellow |
| Gross Weight | TBC |
| Operating Temp. | -20 to +60°C |
| Storage Temp. | -55°C to 70°C |
| Relative Humidity | 50°C; 5% to 90% R/H; 120 hours, non-condensing |
| Thermal Solution | Passive cooling |
| Certification | CE, FCC compliant; UL: UL60950-1, CE/LVD: EN60950-1 |
| Green Product | RoHS2.0, WEEE compliance |
| Ingress Protection | IP65 |
| Vibration | MIL-STD-810G Method 514.6 Procedure I, Cat. 24, Fig. 514.6E-1 & E-2 |
| Drop | MIL-STD-810G Method 516.6 Procedure IV -Height of Drop: 122cm (48 inch;4 ft), -Number of Drop: 26 times, -Floor: Two inch plywood backed by concrete, -For all surfaces, edges and corners |
| ESD | Air charge:+/- 8KV, Contact charge:+/- 4KV |

Introduction

The STORM-100 features a 1000 Nit brightness 10.1" resistive multi-touch display that can be operated with gloves. Equipped with dual capacity batteries and powered by Intel® 7th Gen, Core i7-7600U processor. IP65 rated, the tablet can be customized to meet the needs of the user, from cable connectors to wireless options. A multi-function capability that can be configured (software required) to operate & control connected sensors, from an Unmanned Ground Vehicle to an Unmanned Ariel Vehicle. An ideal capability for Light Force users be it in the mounted or dismounted environment.



Description of Key Features

Operate day and night

STORM-100 features a high-brightness screen, specifically for outdoor use in direct sunlight.

Optical Bonding

Optical bonding is optimized to reduce noticeable light reflection, making the STORM-100 appear brighter in high ambient light environments and direct sunlight.

Command & Control

Integrated with a command & control joystick to allow the operation of connected sensors. Multi-function, multi-use.

Programmable Keys

3 programmable function keys for user pre-defined capability. SHIFT key to allow the operation of alternate functionality.

GFG Resistive Touchscreen

Using GFG touch technology, the screen can be operated with direct touch, when using gloves or with a stylus. Robust & rugged by design.

Robust FISHER IO

Equipped with FISHER Ultimate/Minimax series for proven durability & high-performance shielding.

Frame Grabber Card

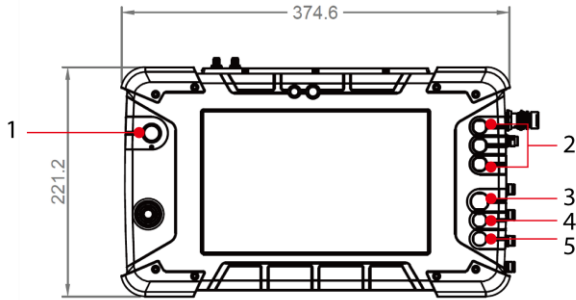
Integrated vision system with frame grabber card. Capture, store & analyze.

Rugged Design

MIL-STD 461 & 810 certified and rated IP65. True rugged performance.

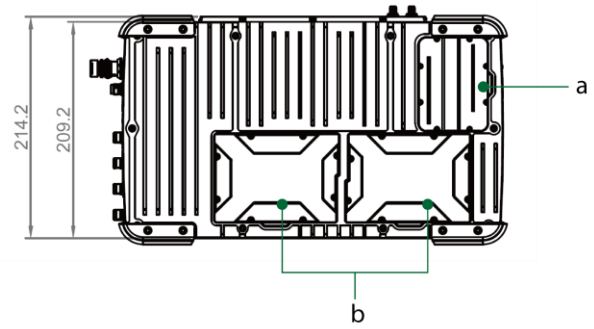
Dimensions

Front Side



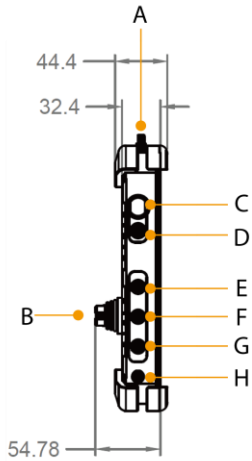
| Button | Function |
|--------|----------------------------|
| 1 | Power/Shift |
| 2 | Programmable Function Keys |
| 3 | Enter |
| 4 | Up |
| 5 | Down |

Back Side



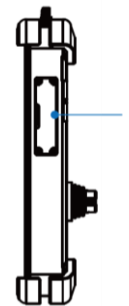
| Back Cover | Function |
|------------|--------------------|
| a | Service Door |
| b | Dual Battery Cover |

Right Side



| IO Port | Function |
|---------|---------------|
| A | Frame grabber |
| B | Joystick |
| C | HDMI |
| D | USB3.0 |
| E | USB2.0 |
| F | USB2.0 |
| G | RJ45 |
| H | COM |
| I | DC-IN |

Left Side



| IO Port | Function |
|---------|---------------------------|
| i | Audio Jack, Micro SD, SIM |