

R20L100-RKA2ML

20.1" Rack Mount Protection Glass Military Display



KEY FEATURES

- AC 100~240V, Universal, $\pm 10\%$; DC 9~36V, $\pm 10\%$ (Optional)
- AR protection glass
- Compliant MIL-STD 810G/ MIL-STD 461E
- High image quality, 1600 x 1200 pixels resolution
- Military-grade power connector (MIL-DTL-38999/1)
- Rack mount mechanical design, supports VESA mount
- Touchscreen: Touch/ Glass



SPECIFICATIONS

| Display | |
|-----------------------|--|
| Resolution | 1600x1200 |
| Contrast Ratio | 1400:1 |
| Display Color | 16.7M Colors |
| Type | Protection Glass |
| Size | 20.1 inches |
| Panel Brightness | 330 nits |
| View Angles | 85,85,85,85 |
| Environment | |
| Operating Humidity | Up to 95%RH $\pm 3\%$ |
| Storage Temperature | -10°C~70°C |
| Operating Temperature | 0~60°C |
| IP rating | Front IP65 |
| Compliance | |
| Compliance | MIL-STD 461E/F (Compliance) RE101 / RE102 CE101 / CE 101 RS101 / RS 103 CS101 / CS 106 / CS 109 / CS 114 / CS 115 / CS 116 MIL-STD 810F/G (Compliance) Vibration MIL-STD-810F/G Method 514.5 Humidity MIL-STD-810F/G Method 507.4 Transit Drop MIL-STD-810F/G Method 16.5 Salt Fog MIL-STD-810F/G Method 509.5 Low Pressure Operating 15,000 ft, Method 500.5 / Procedure II Low Pressure Storage 15,000 ft, Method 500.5 / Procedure I with EMI Glass / Touch(Optional) |
| Certification | |
| Certification | CE, FCC |
| IO Ports | |
| Video | 1 x 15 Pin D-Sub 5 x BNC 1 x DVI-D |
| Mechanical | |
| Dimension | 482.6 x 399.3 x 85 mm |
| Enclosure | Metal Housing with Aluminum Bezel |
| Mounting | Rack Mount/ VESA Mount |
| Cooling System | Fanless Design |

Power

Power Rating AC 100~240V, Universal, ±10%
DC 9~36V, ±10% (Optional)

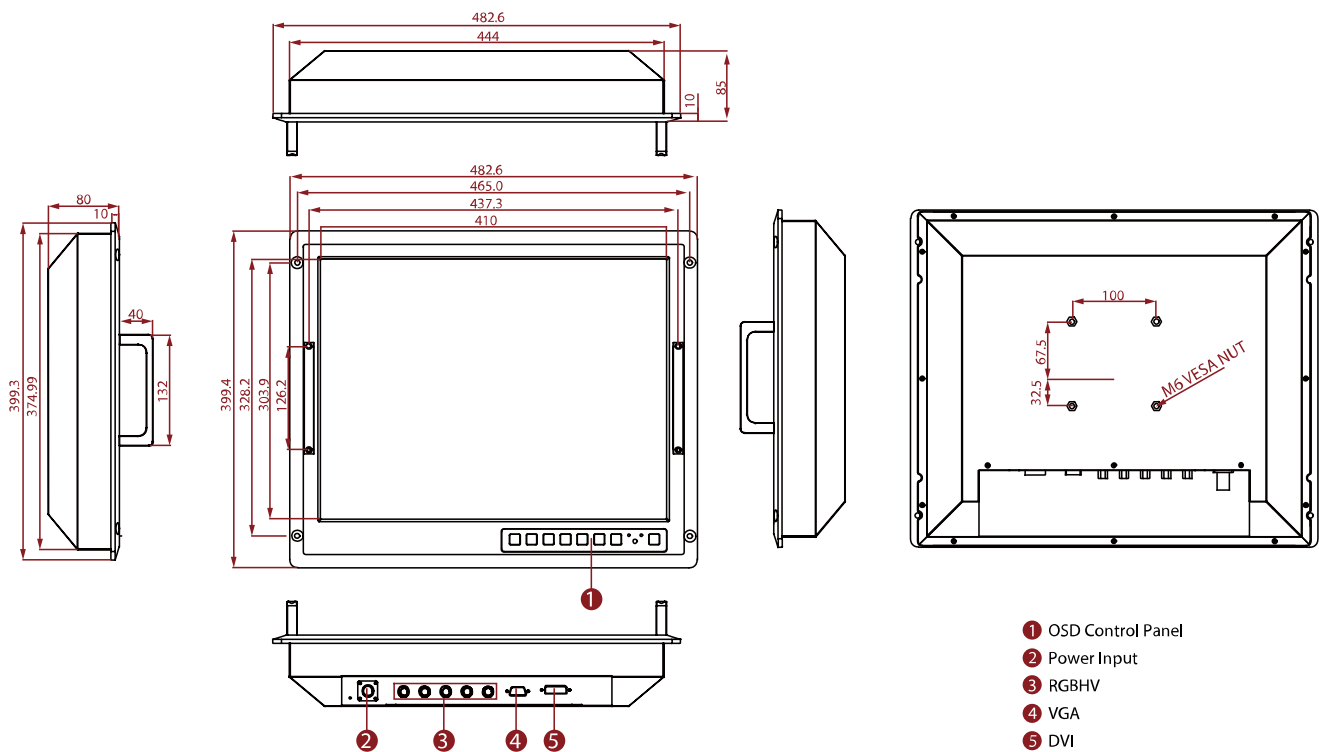
Accessory

Accessory User Manual(Hardcopy)
Power Cord MIL-DTL-38999/1 (2m)
VGA Cable (2m)
DVI Cable (2m)
VGA to 5 BNC Shielding Cable (2m), *Not supplied for 32" model

Control

Button Power
Decrease
Increase
Exit/ Auto
Menu
Day/ Night
Lock/ Unlock
(with a Light Sensor & LED Indicators: Power, Lock)

DIMENSIONS UNIT:MM



NOTE

1. This is a simplified drawing and some components are not marked in detail.
2. If you require an external test report, Winmate will charge an NRE fee.
3. Please contact our sales representative if you need further product information.
4. All specifications are subject to change without prior notice.
5. The product shown in this datasheet is a standard model. For diagrams that contain customized or optional I/O, please contact the Winmate Sales Team for more information.