

R19L300-MRA2ID3S

19" Marine Panel PC



KEY FEATURES

- @Intel® Atom N2600 dual-core
- 9~36V DC power input acceptable
- Dimming knob control backlight brightness from nearly 0% to 100%
- Panel (flush) mount IP66 aluminum housing with powder coating design (IP54 rear)
- Transflective film technology enhances visibility



SPECIFICATIONS

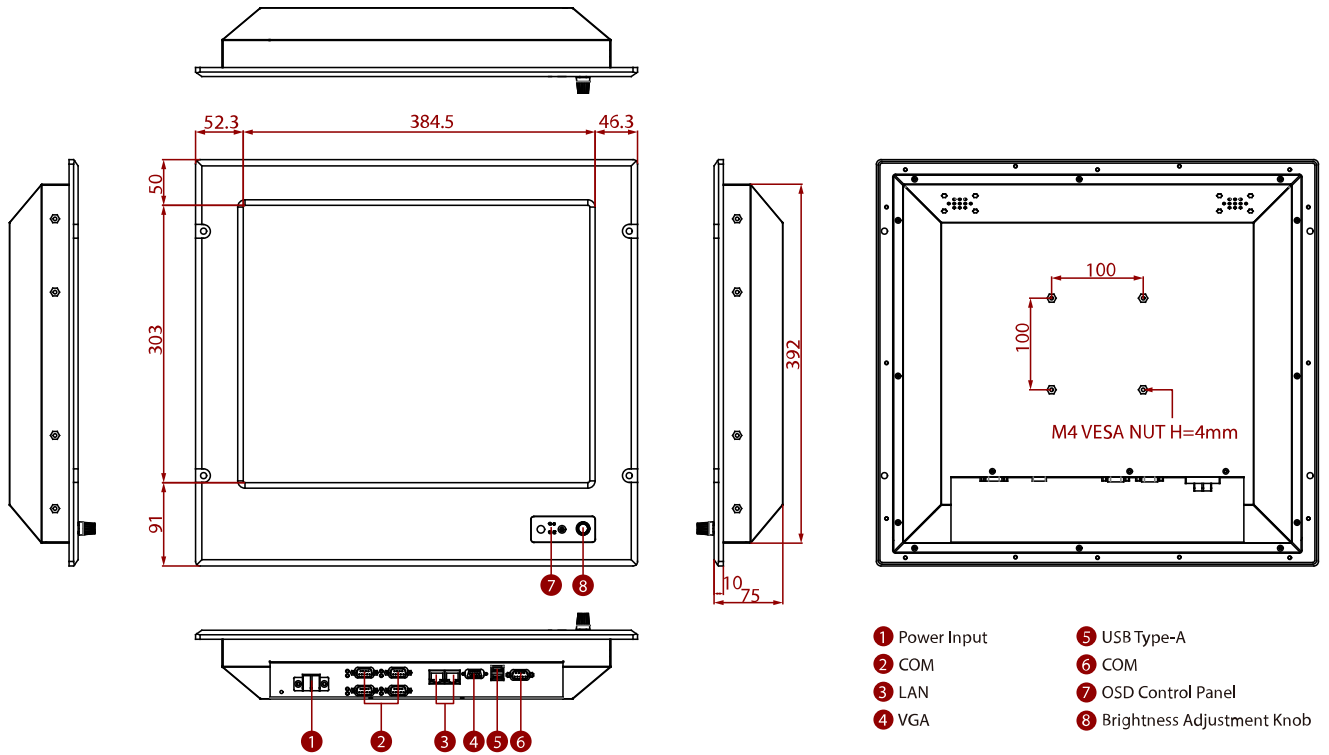
| Display | | | |
|----------------------|---|-----------------------|--|
| Resolution | 1280x1024 | Size | 19.0 inches |
| Contrast Ratio | 1000:1 | Panel Brightness | 350 nits |
| View Angles | 85,85,80,80 | Type | Resistive Touch Screen AR Glass(Optional) |
| System Specification | | | |
| Processor | Intel Atom® N2600 (1M Cache, 1.6 GHz) | Chipset | Intel® NM10 |
| Memory | 1 x SO-DIMM, DDR3L 1600 MHz, 4GB 8GB(Optional) | Storage | 1 x mSATA SSD 64GB mSATA SSD up to 512GB(Optional) |
| Ethernet controller | BCM57780A1KMLG | Operating System | Windows 7 Embedded Systems(Optional) Linux Ubuntu 16.04(Optional) |
| Environment | | | |
| Operating Humidity | 5% to 95% | Operating Temperature | -15~55°C |
| Shock | 15G,11ms duration | Vibration | 0.7g@DNVGL CG-0339 (Class A) |
| IP rating | IP66 (Front Side) | | |
| Certification | | | |
| Certification | DNVGL-CG-0339, IEC60945 4th, IACS E10, CE, FCC | | |
| IO Ports | | | |
| USB Port | 2 x USB2.0 | Serial Port | 1 x RS232/422/485 4 x RS232 or 4 x Isolation RS422/485 |
| Video | 1 x VGA | LAN | 2 x RJ45-10/100/1000 Mbps |
| Mechanical | | | |
| Dimension | 384.5 x 444 x 75 mm | Mounting | VESA Mount/ Panel Mount |
| Enclosure | Metal Housing with Aluminum Bezel | Cooling System | Fanless Design |
| Accessory | | | |
| Accessory | Driver CD & User Manual 4 x M6 Black Screw Bolt with M6 Nut | | |
| Power | | | |
| Power Rating | 24V DC-in with Isolation (Approval by Certificate) 9~36V DC Input Acceptable | | |

Control

Button 1 x Power Button
1 x Reset Button
1 x The Dimming Knob

(with LED indicator:
Power On/Off Status, HDD Status)

DIMENSIONS UNIT:MM



NOTE

1. This is a simplified drawing and some components are not marked in detail.
2. Only 24 V DC has been approved by DNVGL certification.
3. Please contact our sales representative if you need further product information.
4. All specifications are subject to change without prior notice.
5. The product shown in this datasheet is a standard model. For diagrams that contain customized or optional I/O, please contact the Winmate Sales Team for more information.