

R19L100-MLA3

19" G-WIN Military Display (Vehicle Mount)



KEY FEATURES

- 19" 1280 x 1024 resolution
- Compliant MIL-STD 810G/ MIL-STD 461E
- Convenient on-screen display controls
- Fanless, streamlined enclosure for highly efficient heat dissipation
- Power input 9~36 V DC with isolation
- Supports VESA mount
- Wide operating temperature -40°C~70°C



SPECIFICATIONS

Display			
Resolution	1280x1024	Size	19.0 inches
Contrast Ratio	1000:1	Panel Brightness	350 nits
Display Color	16.7M Colors	View Angles	85,85,80,80
Type	AR Protection Glass 5 Wires Resistive Touch(Optional) 5 Wire Resistive with EMI Coating(Optional) EMI Coating Glass (Optional)		
Environment			
Operating Humidity	10% to 95% RH	Operating Temperature	-40°C~70°C
Storage Temperature	-40°C~70°C	Shock	Operating:30g for 18ms
Vibration	Operating: 1.60/1.96/2.18 g rms for XYZ / 5-500Hz		
Compliance			
Compliance	MIL-STD 461E/F (Compliance) RE101 / RE102 CE101 / CE 101 with EMI Glass / Touch(Optional) RS101 / RS 103 CS101 / CS 106 / CS 109 / CS 114 / CS 115 / CS 116 MIL-STD 810F/G (Compliance) Vibration MIL-STD-810F/G Method 514.5 Humidity MIL-STD-810F/G Method 507.4 Transit Drop MIL-STD-810F/G Method 516.5		
Certification			
Certification	CE, FCC		
IO Ports			
Serial Port	1 x RS232 Remote Control(Optional)	Video	1 x D-Sub 15 VGA 1 x DVI-D
Mechanical			
Dimension	474 x 410 x 111 mm	Mounting	VESA Mount/ Wall Mount
Enclosure	Metal Housing with Aluminum Bezel	Cooling System	Fanless Design
Accessory			
Accessory	User Manual		

AC Adapter 12V/ 84W
 Open Wire Cable
 Power Converter Cable, 0.15m
 VGA, 1.8m
 DVI Cable, 1.8m
 COM Cable, 1.8m

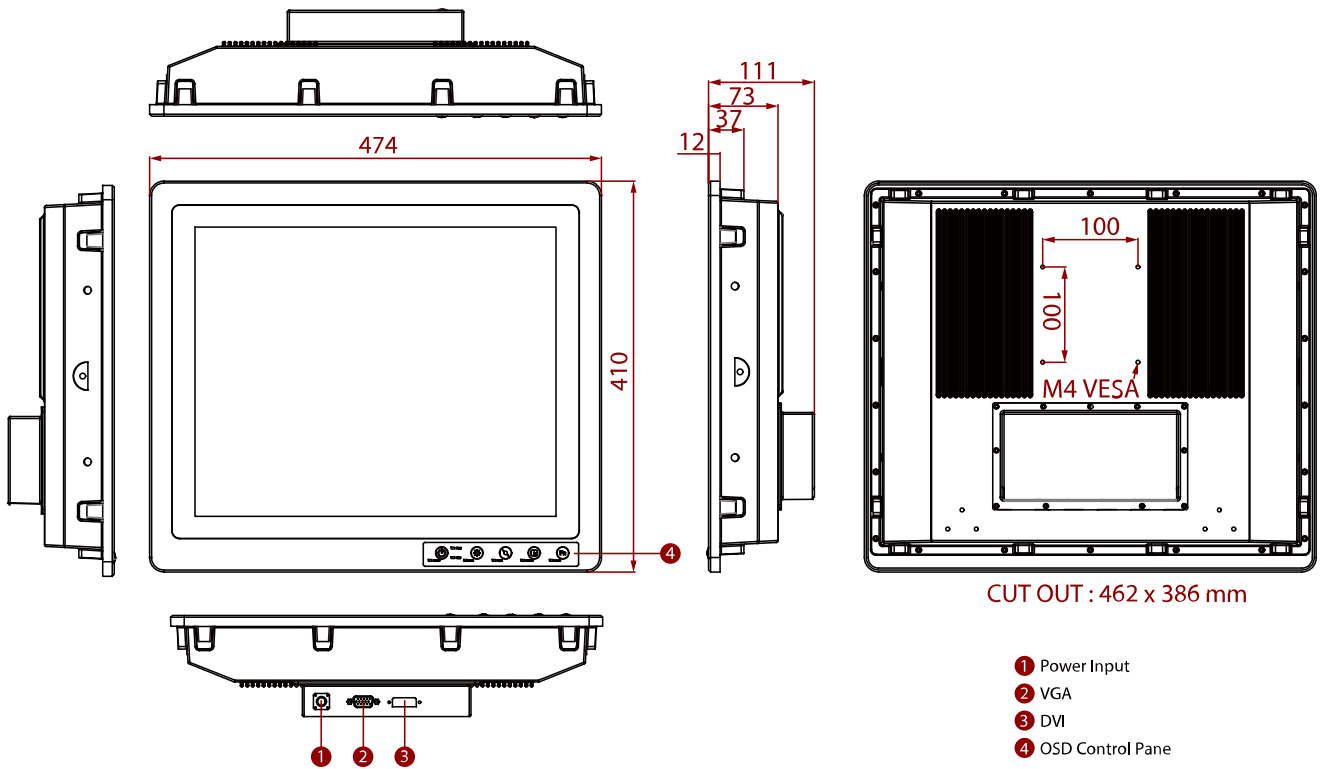
Power

Power Rating 9~36V DC Power input with isolation

Control

Button 8 key:
 Power
 Menu
 Auto
 Volume Up/ Swap
 Volume Down/ PIP
 Brightness Up
 Brightness Down
 LED Adjustment
 (with LED Indicators: Power on, Sleep)

DIMENSIONS UNIT:MM



NOTE

1. This is a simplified drawing and some components are not marked in detail.
2. If you require an external test report, Winmate will charge an NRE fee.
3. Please contact our sales representative if you need further product information.
4. All specifications are subject to change without prior notice.
5. The product shown in this datasheet is a standard model. For diagrams that contain customized or optional I/O, please contact the Winmate Sales Team for more information.