

# R19IK3S-SPM169-P1

19" Intel® Core™ i5 IP69K stainless steel panel pc



## KEY FEATURES

- Intel® Core™ i5-7200U, 2.50 GHz, stainless steel panel pc
- Fanless cooling system
- SUS316 / AISI 316 stainless steel for food and chemical industries
- Full IP69K waterproof enclosure
- A true flat, easy-to-clean front surface with edge-to-edge design
- Waterproof sealed conduit pipe for cable protection
- Support VESA mount, and optional Yoke mount stand
- Support Glove/ Rain mode
- Optical bonding (optional)



## SPECIFICATIONS

Display			
<b>Resolution</b>	1280x1024	<b>Size</b>	19 inches
<b>Contrast Ratio</b>	1000:1	<b>Panel Brightness</b>	250 nits
<b>View Angles</b>	85,85,80,80	<b>Active Area</b>	376.32x301.06 mm
<b>Touch / Glass</b>	Projected Capacitive Multi Touch Screen		
System Specification			
<b>Processor</b>	Intel® Core™ i5-7200U (3M Cache, up to 3.10 GHz) Intel® Core™ i5-7300U (3M Cache, up to 3.50 GHz)	<b>Memory</b>	1 x SO-DIMM, DDR4 2133 MHz, 4GB 8GB (Optional) 16GB (Optional)
<b>Storage</b>	1 x M.2 2242 SSD 128GB M.2 2242 SSD up to 512GB (Optional)	<b>Ethernet controller</b>	2 x Intel® Ethernet Controller
<b>Security</b>	TPM 2.0	<b>Operating System</b>	Windows 10 IoT Enterprise (Optional) Linux Ubuntu 18.04 (Optional)
<b>WLAN</b>	Support (Optional)	<b>BT</b>	Support (Optional)
Mechanical			
<b>Dimension</b>	468 x 395 x 57 mm	<b>Mounting</b>	VESA Mount Yoke Mount
<b>Enclosure</b>	Stainless Housing	<b>Cooling System</b>	Fanless design
Environment			
<b>Operating Humidity</b>	10% to 90% (non-condensing)	<b>Operating Temperature</b>	0~45°C
<b>Storage Temperature</b>	-20~60°C	<b>IP rating</b>	IP69K
Certification			
<b>Certification</b>	CE, FCC		
IO Ports			
<b>USB Port</b>	2 x USB3.0 (Type-A)	<b>Serial Port</b>	1 x RS232/422/485 (Default RS232)
<b>Video</b>	1 x HDMI 1.4	<b>LAN</b>	2 x Giga LAN RJ45 Connector
<b>Indicator</b>	1 x LED Indicator on power button		
Control			

Button 1 x Power Button

**Accessory**

**Accessory** 1 x Waterproof Conduit 1.5m  
1 x Waterproof Conduit 0.3m  
2 x Elbow for connect the conduit  
1 x AC to DC power adapter with power cord  
1 x D-sub9(male) to RJ45 adapter  
1 x D-sub9(female) to RJ45 adapter  
1 x External RJ45 male to male cable  
Driver CD & Manual  
VESA screws

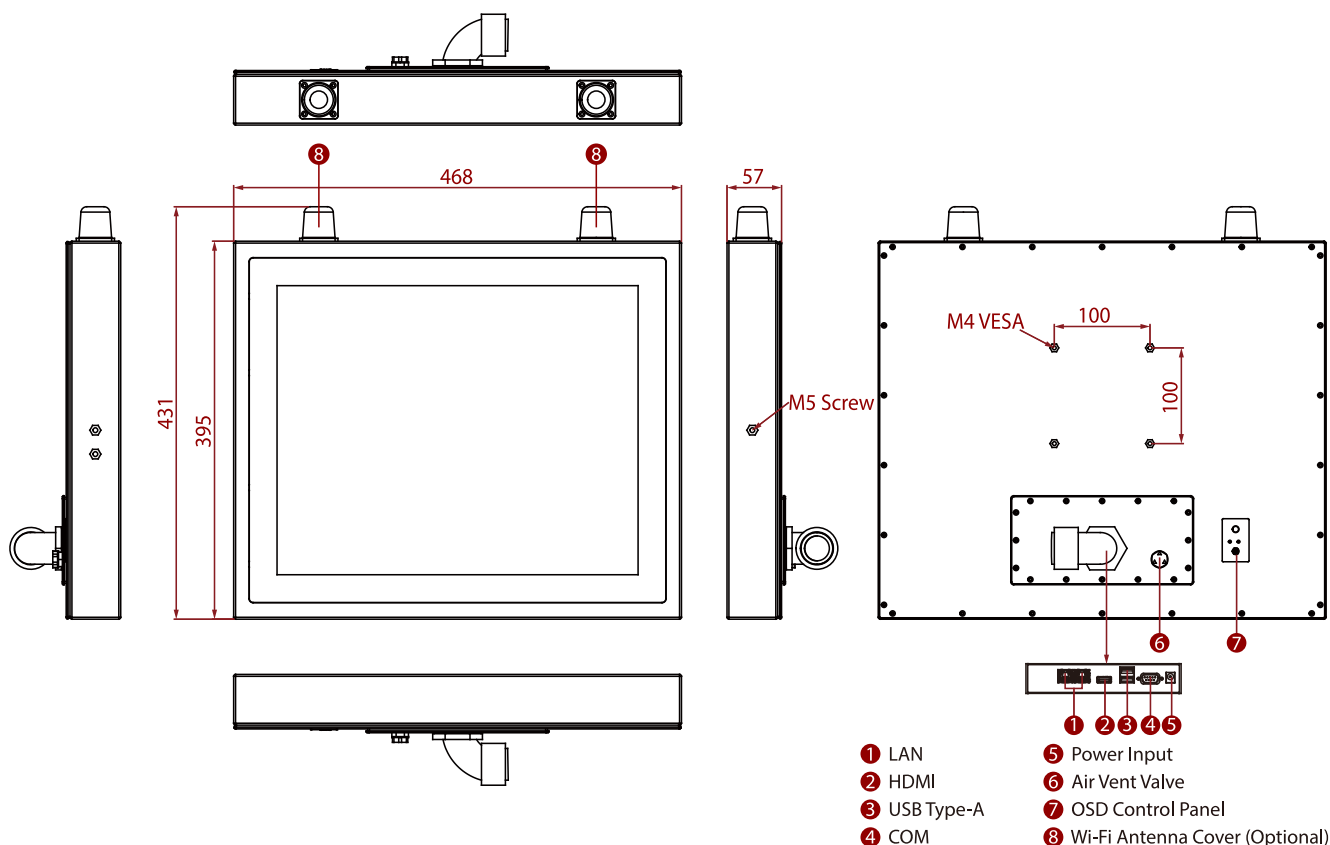
**Optional Accessory** 1 x Open wire cable for phoenix connector (Optional)  
Yoke mount stand kit (Optional)

**Power**

Power Rating 12V DC input

**DIMENSIONS** UNIT:MM

**Winmate R19IK3S-SPM169-P1**



**NOTE**

- 1. Yoke mount stand kit is an optional accessory.
- 2. Wi-Fi antenna is an optional feature.
- 3. The product shown in this datasheet is a standard model. For diagrams that contain customized or optional I/O, please contact the Winmate Sales Team for more information.