

R17L100-MLA1FP

17" PCAP Rack Mount Military Display



KEY FEATURES

- 17", 1280 x 1024 resolution
- AC 100~240V, Universal, $\pm 10\%$; DC 9~36V, $\pm 10\%$ (Optional)
- Compliant MIL-STD 810G/ MIL-STD 461E
- Convenient on-screen display controls
- Military-grade power connector (MIL-DTL-38999/1)
- PCAP multi-touch screen
- Rack mount mechanical design, supports VESA mount



SPECIFICATIONS

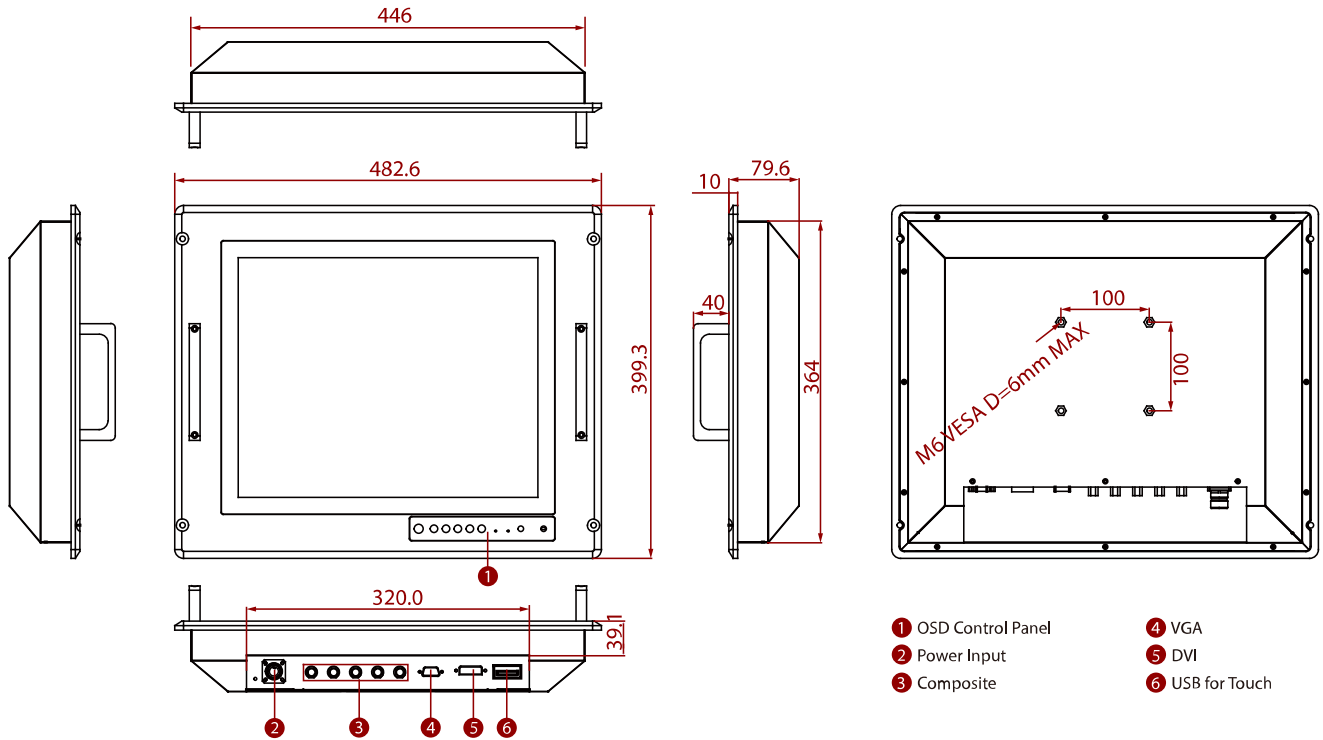
Display	
Resolution	1280x1024
Contrast Ratio	1000:1
Display Color	16.7M Colors
Type	Projected Capacitive Multi Touch Screen
Size	17.0 inches
Panel Brightness	350 nits
View Angles	85,85,80,80
Environment	
Operating Humidity	Up to 95%RH $\pm 3\%$
Storage Temperature	-30°C~70°C
Operating Temperature	-20°C~60°C
IP rating	Front IP65
Compliance	
Compliance	MIL-STD 461E/F (Compliance) RE101 / RE102 CE101 / CE 101 RS101 / RS 103 CS101 / CS 106 / CS 109 / CS 114 / CS 115 / CS 116 MIL-STD 810F/G (Compliance) Vibration MIL-STD-810F/G Method 514.5 Humidity MIL-STD-810F/G Method 507.4 Transit Drop MIL-STD-810F/G Method 516.5 with EMI Glass / Touch(Optional)
Certification	
Certification	CE, FCC
IO Ports	
USB Port	1 x USB Touch Interface
Video	1 x 15 Pin D-Sub 5 x BNC 1 x DVI-D
Mechanical	
Dimension	482.6 x 399.3 x 79.6 mm
Enclosure	Metal Housing with Aluminum Bezel
Mounting	Rack Mount/ VESA Mount
Cooling System	Fanless Design
Accessory	
Accessory	User Manual(Hardcopy) Power Cord MIL-DTL-38999/1 (2m) VGA Cable (2m) DVI Cable (2m)

VGA to 5 BNC Shielding Cable (2m), *Not supplied for 32" model

Power

Power Rating AC 100~240V, Universal, $\pm 10\%$
DC 9~36V, $\pm 10\%$ (Optional)

DIMENSIONS UNIT:MM



NOTE

1. The product shown in this datasheet is a standard model. For diagrams that contain customized or optional I/O, please contact the Winmate Sales Team for more information.