

# R17IK3S-RKA1ML

## 17" Military Console Rack Panel PC



### KEY FEATURES

- 17" SXGA TFT LCD
- AC 110~240 V Power input default
- Anti-Corrosion Housing / Fanless
- Built-in Light Sensor for auto brightness control
- Compliant with MIL-STD-810G/F , MIL-STD-461E/F
- Convenient On-Screen Display Controls
- Flush Rack / Rack Mount Mechanical Design (8U)
- Intel® Core™ i5-7200U 2.5 GHz Processor
- Isolation DC 9~36 V Power input (Optional)
- Military Grade Power Connector (MIL-DTL-38999/1)



### SPECIFICATIONS

Display	
<b>Resolution</b>	1280x1024
<b>Contrast Ratio</b>	1000:1
<b>View Angles</b>	85,85,80,80
<b>Size</b>	17.0 inches
<b>Panel Brightness</b>	350 nits
<b>Type</b>	Resistive Touch Screen Protection Glass w/o Touch Function(Optional)

System Specification	
<b>Processor</b>	Intel® Core™ i5-7200U (3M Cache, up to 3.10 GHz) Intel® Core™ i5-7300U (3M Cache, up to 3.50 GHz)
<b>Memory</b>	1 x SO-DIMM, DDR4 2133 MHz, 4GB 8GB(Optional) 16GB(Optional)
<b>Storage</b>	1 x M.2 2242 SSD 64GB M.2 2242 SSD up to 512GB(Optional)
<b>Expansion</b>	1 x M.2 2242 B-key Slot (for SSD) 1 x M.2 2232 E-Key Slot (for half size Wifi module)
<b>Ethernet controller</b>	Intel® Ethernet Controller I211-AT + Intel® Ethernet Connection I219-LM
<b>Security</b>	TPM 2.0
<b>Operating System</b>	Windows 10 IoT Enterprise(Optional) Linux Ubuntu 18.04 (Optional)

Environment	
<b>Operating Humidity</b>	Up to 95%RH ±3%
<b>Operating Temperature</b>	-20°C~60°C
<b>Storage Temperature</b>	-30°C~70°C

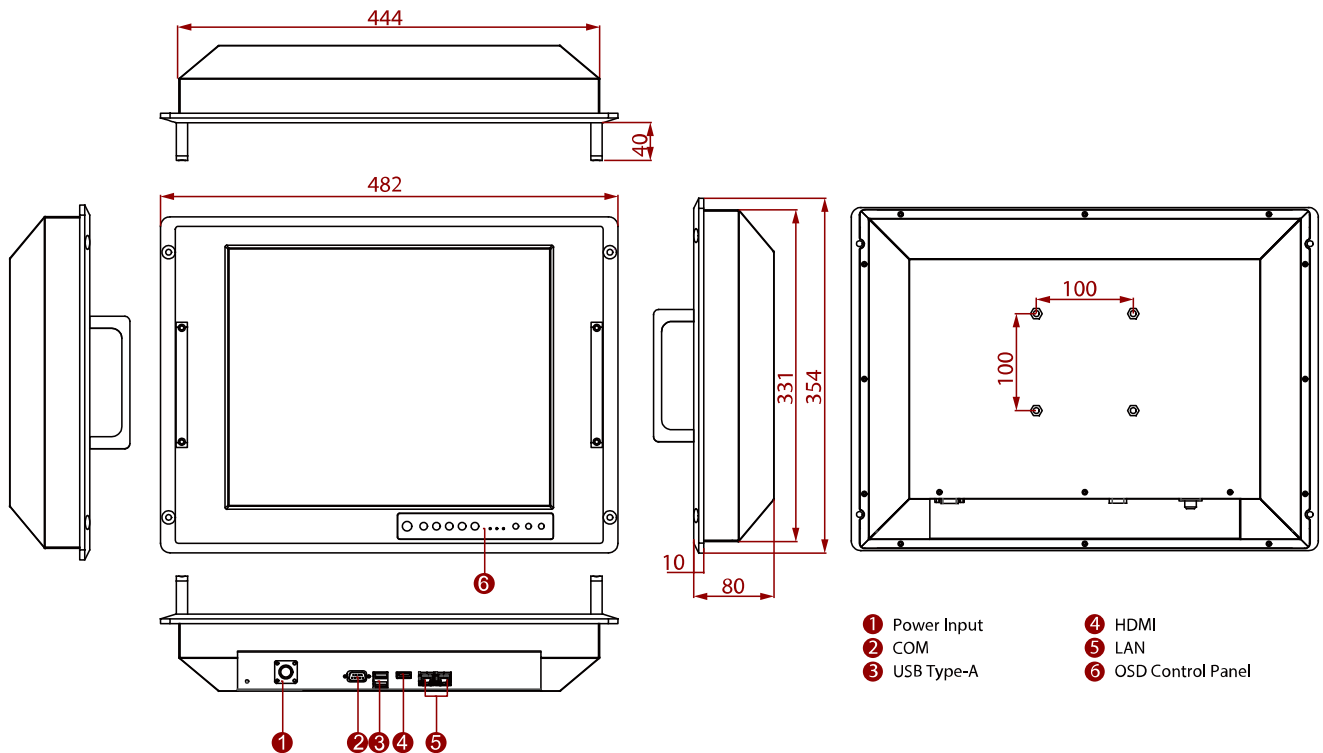
Compliance	
<b>Compliance</b>	MIL-STD 461E/F (Compliance) RE101 / RE102 CE101 / CE 101 RS101 / RS 103 CS101 / CS 106 / CS 109 / CS 114 / CS 115 / CS 116 MIL-STD 810F/G (Compliance) Vibration MIL-STD-810F/G Method 514.5 Humidity MIL-STD-810F/G Method 507.4 Transit Drop MIL-STD-810F/G Method 516.5 with EMI Glass / Touch(Optional)

Certification	
<b>Certification</b>	CE, FCC

IO Ports			
<b>USB Port</b>	2 x USB 3.0	<b>Serial Port</b>	1 x RS232/422/485 (Default RS232) 1 x RS232(Optional)
<b>Video</b>	1 x HDMI(Optional)	<b>Audio</b>	2 x Speaker
<b>LAN</b>	2 x RJ-45		
Mechanical			
<b>Dimension</b>	482 x 354 x 80 mm	<b>Mounting</b>	VESA Mount/ Panel Mount
<b>Enclosure</b>	Metal Housing with Aluminum Bezel	<b>Cooling System</b>	Fanless Design
Accessory			
<b>Accessory</b>	User Manual (Hardcopy) CD-ROM with Driver Utility Power Cord MIL-DTL-38999/1 VGA Cable MIL-DTL-38999/3 RS-232 Cable MIL-DTL-38999/3		
Power			
<b>Power Rating</b>	AC 100~240V, Universal, ±10% DC 9~36V, ±10% (Optional)		
Control			
<b>Button</b>	8 Key OSD Control Pad: Power, Brightness DOWN, Brightness UP, Night, Day, Auto / Manual, Reset, Lock (with LED Indicators: Power status, HDD Status, Lock Status)		

## DIMENSIONS UNIT:MM



## NOTE

1. This is a simplified drawing and some components are not marked in detail.
2. Please contact our sales representative if you need further product information.
3. All specifications are subject to change without prior notice.
4. The product shown in this datasheet is a standard model. For diagrams that contain customized or optional I/O, please contact the Winmate Sales Team for more information.

