

R15L600-MLA3FP

15" PCAP Rack Mount Military Display



KEY FEATURES

- 15", 1024 x 768 resolution
- AC 100~240V, Universal, $\pm 10\%$; DC 9~36V, $\pm 10\%$ (Optional)
- Compliant MIL-STD 810G/ MIL-STD 461E
- Convenient on-screen display controls
- Military-grade power connector (MIL-DTL-38999/1)
- PCAP multi-touch screen
- Rack mount mechanical design, supports VESA mount



SPECIFICATIONS

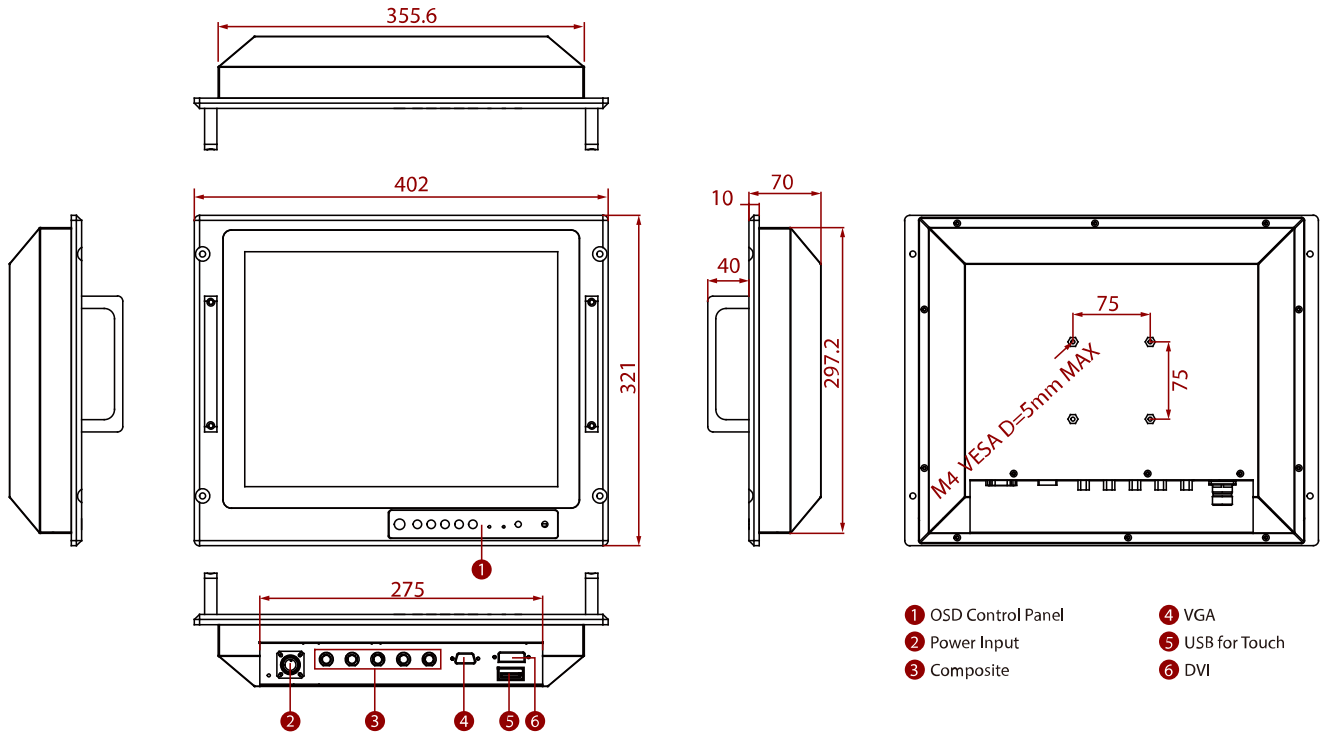
Display			
Resolution	1024x768	Size	15.0 inches
Contrast Ratio	2500:1	Panel Brightness	500 nits
Display Color	16.7M Colors	View Angles	88,88,88,88
Type	Projected Capacitive Multi Touch Screen Bonding with Panel		
Environment			
Operating Humidity	Up to 95%RH $\pm 3\%$	Operating Temperature	-20°C~60°C
Storage Temperature	-30°C~70°C	IP rating	Front IP65
Compliance			
Compliance	MIL-STD 461E/F (Compliance) RE101 / RE102 CE101 / CE 101 RS101 / RS 103 CS101 / CS 106 / CS 109 / CS 114 / CS 115 / CS 116 MIL-STD 810F/G (Compliance) Vibration MIL-STD-810F/G Method 514.5 Humidity MIL-STD-810F/G Method 507.4 Transit Drop MIL-STD-810F/G Method 516.5 with EMI Glass / Touch(Optional)		
Certification			
Certification	CE, FCC		
IO Ports			
USB Port	1 x USB Touch Interface	Video	1 x 15 Pin D-Sub 5 x BNC 1 x DVI-D
Mechanical			
Dimension	402 x 321 x 70 mm	Mounting	Rack Mount/ VESA Mount
Enclosure	Metal Housing with Aluminum Bezel	Cooling System	Fanless Design
Accessory			
Accessory	User Manual(Hardcopy) Power Cord MIL-DTL-38999/1 (2m) VGA Cable (2m)		

DVI Cable (2m)
 VGA to 5 BNC Shielding Cable (2m), *Not supplied
 for 32" model

Power

Power Rating AC 100~240V, Universal, ±10%
 DC 9~36V, ±10% (Optional)

DIMENSIONS UNIT:MM



NOTE

1. The product shown in this datasheet is a standard model. For diagrams that contain customized or optional I/O, please contact the Winmate Sales Team for more information.