

R15L600-GSC3(HB)

15" G-WIN GS Series Display



KEY FEATURES

- 15" 1024 x 768 Resolution
- Full IP65 Water and Dust Proof
- Fully rugged elegant, edge-to-edge design
- M12 Waterproof Connectors
- Projected Capacitive Multi-Touch (PCAP)



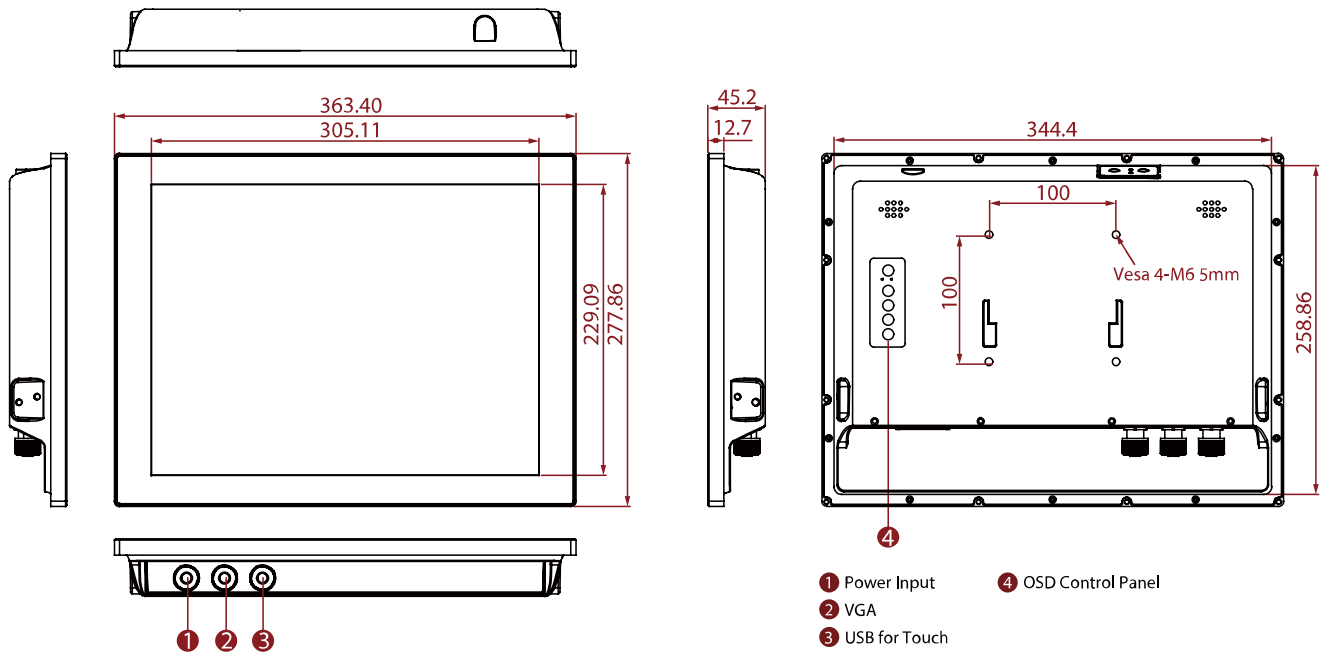
SPECIFICATIONS

Display			
Resolution	1024x768	Size	15.0 inches
Contrast Ratio	2000:1	Panel Brightness	300 nits
Display Color	16.2M Colors	View Angles	88,88,88,88
Type	Projected Capacitive Multi Touch Screen Protection Glass(Optional) Anti-glare Coating(Optional) High brightness Panel(1000 nits)(Optional)		
Environment			
Operating Humidity	10% to 95% RH	Operating Temperature	-15 °C to 55 °C
Storage Temperature	-30°C to 60°C	Shock	40g for 11ms
Vibration	1.48/1.90/2.24 g rms for XYZ/ 5-500Hz	IP rating	Full IP65
Certification			
Certification	Compliant with MIL-STD-810F/G for vibration / shock, CE, FCC		
IO Ports			
USB Port	1 x USB for Touch Screen	Video	1 x VGA
Audio	1 x Speaker		
Mechanical			
Dimension	363.4 x 277.9 x 45.2 mm	Mounting	VESA Mount/ Panel Mount
Enclosure	Aluminum	Cooling System	Fanless Design
Accessory			
Accessory	Quick Start Guide(Hardcopy) AC Adapter(For 7" Display only) M12 Power Cable(Not Supplied with 7" Display) VGA Cable USB for Touch Cable I/O Protective Cap x 3		
Power			
Power Rating	9-36V DC (M12 type)		
Control			

Button

5 Keys: -, +, Power, Esc, Enter
(with LED Indicators: Power on, Stand by)

DIMENSIONS UNIT:MM



NOTE

1. This is a simplified drawing and some components are not marked in detail.
2. The product shown in this datasheet is a standard model. For diagrams that contain customized or optional I/O, please contact the Winmate Sales Team for more information.
3. All specifications are subject to change without prior notice.