

# R15L600-65EX

## 15" IP65 Stainless ATEX Display



### KEY FEATURES

- 15" 1024 x 768, 550 nits (Optional 1000 nits) LCD Panel
- Class 1, Division 2 & ATEX Zone 2 device certified for hazardous area application
- Explosion-proof 5 wire resistive touch/ Projected Capacitive Multitouch
- IP65 certified, dustproof and waterproof
- Rated for wide temperature use -20°C to 50°C
- Stainless housing



### SPECIFICATIONS

Display	
<b>Type</b>	Resistive Touch Screen Bonding With Panel (Explosion-Proof)
<b>Size</b>	15.0 inches
<b>Panel Brightness</b>	550 nits
<b>View Angles</b>	88,88,88,88
<b>Resolution</b>	1024x768
<b>Contrast Ratio</b>	2000:1
<b>Display Color</b>	16.2M Colors
Mechanical	
<b>Dimension</b>	396 x 310 x 49 mm
<b>Enclosure</b>	Stainless Housing
<b>Mounting</b>	VESA Mount
<b>Cooling System</b>	Fanless design
Environment	
<b>Operating Humidity</b>	10% to 95% (non-condensing)
<b>Operating Temperature</b>	-20~50°C
<b>Storage Temperature</b>	-20~50°C
<b>Shock</b>	MIL-STD-810G Method 516.6
<b>Vibration</b>	MIL-STD-810G Method 514.6
<b>IP rating</b>	IP65
<b>Drop</b>	MIL-STD-810G Method 516.6
Certification	
<b>Certification</b>	CE, FCC  UL60950-1, CSA C22.2 No. 60950-1-07, EN60950-1, IEC60950-1 ATEX Zone 2 EX II 3 G Ex ic nA IIC Gc UL Class I, Div.2, Groups ABCD T4 ANSI/ISA12.12.01 CAN/CSA C22.2 No. 213-M1987
IO Ports	
<b>USB Port</b>	1x M12 type connector for Touchscreen
<b>Serial Port</b>	1 x M12 type connector for Touch 1 x M12 type connector for RS232 remote control(Optional)
<b>Video</b>	1x M21 type connector for VGA input
<b>Indicator</b>	1 x LED Indicator for power 1 x LED Indicator for storage
Control	
<b>Button</b>	1 x Power Button 1 x Adjust up button 1 x Adjust down button

1 x ESC (Auto) button  
1 x OK (Menu) button

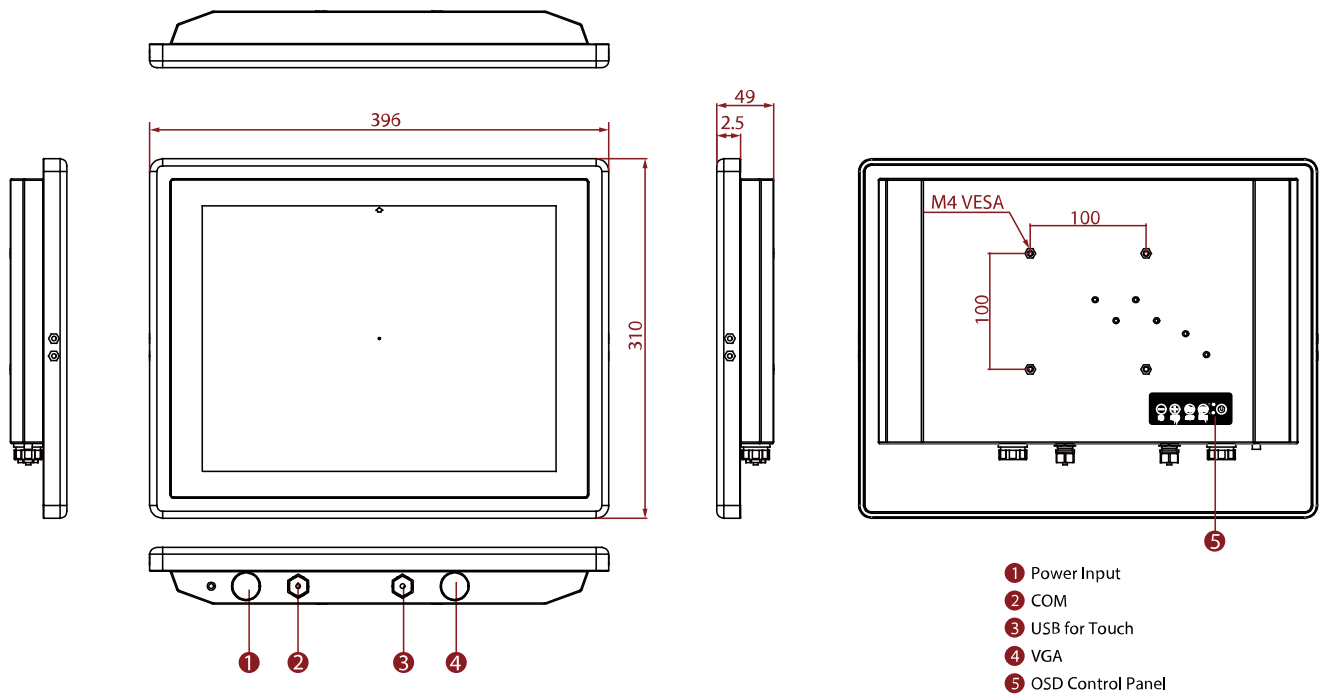
## Accessory

**Accessory** 100~240V AC to DC Power Adapter with IP65 Connector  
Power Cord  
IP65 M21 Power Cable  
IP65 M12 RS232 Male Cable for remote control  
IP65 M12 USB Male Cable for Touch  
IP65 M21 VGA Cable  
Driver CD & Manual  
VESA screws

**Optional Accessory** IP65 M12 RS232 Male Cable for touchscreen control

## System Specification

## DIMENSIONS UNIT:MM



## NOTE

1. Total usable memory will be less depending upon actual system configuration
2. Length measurements do not include protrusions. Weight varies with options.
3. Accessories and integrated options may vary depending on your configuration
4. This is a simplified drawing and some components are not marked in detail.
5. All specifications are subject to change without prior notice.
6. The product shown in this datasheet is a standard model. For diagrams that contain customized or optional I/O, please contact the Winmate Sales Team for more information.