

# R15L100-SPC369-P1

## 15" IP69K Stainless P Series Display



### KEY FEATURES

- 15" with PCAP touch
- A true flat, easy-to-clean front surface with edge-to-edge design
- Fanless cooling system
- Full IP69K waterproof enclosure, good corrosion resistance
- Supports VESA mount and Yoke mount stand
- SUS 316/ AISI 316 stainless steel for food and chemical industries
- Waterproof sealed conduit pipe for cable protection



### SPECIFICATIONS

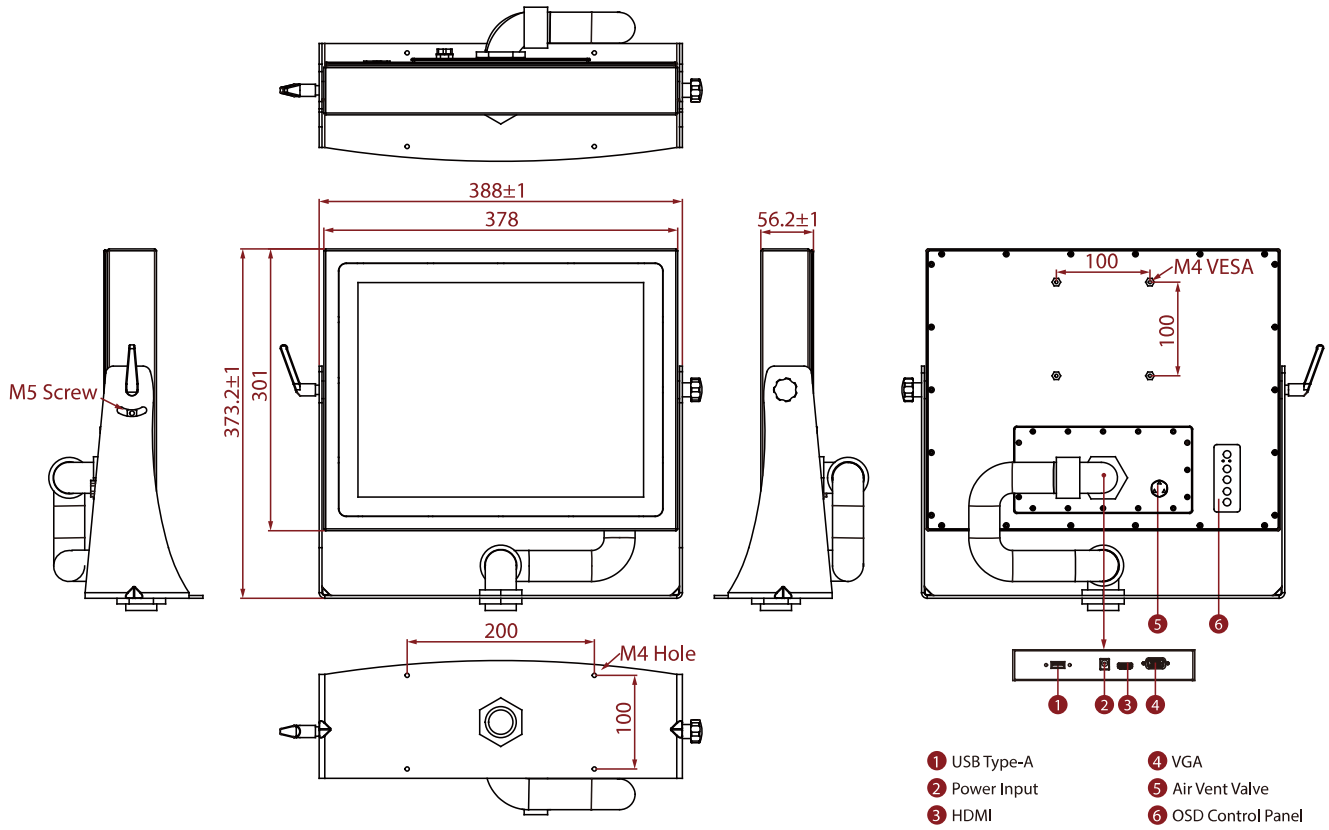
Display	
<b>Resolution</b>	1024x768
<b>Contrast Ratio</b>	2000:1
<b>Display Color</b>	16.2M Colors
<b>Type</b>	Projected Capacitive Multi Touch Screen
<b>Size</b>	15.0 inches
<b>Panel Brightness</b>	300 nits
<b>View Angles</b>	88,88,88,88
Mechanical	
<b>Dimension</b>	378 x 301 x 56.2 mm
<b>Enclosure</b>	Stainless Housing
<b>Mounting</b>	VESA Mount Yoke Mount
<b>Cooling System</b>	Fanless design
Environment	
<b>Operating Humidity</b>	10% to 90% (non-condensing)
<b>Storage Temperature</b>	-20~60°C
<b>Operating Temperature</b>	0~45°C
<b>IP rating</b>	IP69K
Certification	
<b>Certification</b>	CE, FCC
IO Ports	
<b>USB Port</b>	1x USB type-A for touch screen control
<b>Video</b>	1x VGA output 1x HDMI output(Optional)
<b>Indicator</b>	1 x LED Indicator for power 1 x LED Indicator for status
Control	
<b>Button</b>	1 x Power Button 1 x Adjust up button 1 x Adjust down button 1 x ESC (Auto) button 1 x OK (Menu) button
Accessory	
<b>Accessory</b>	1 x Waterproof Conduit 1.5m 1 x Waterproof Conduit 0.3m 2 x Elbow for connect the conduit 1 x AC to DC power adapter with power cord 1 x Open wire cable for phoenix connector 1 x External USB cable for touchscreen control 1 x External HDMI cable 1 x D-sub15(male) to RJ45 adapter
<b>Optional Accessory</b>	Yoke mount stand kit (It'll charge you for NRE cost)

1 x D-sub15(female) to RJ45 adapter  
 1 x External RJ45 male to male cable  
 Manual  
 VESA screws

**Power**

**Power Rating** 12V DC in  
 9-36V DC(Optional)

**DIMENSIONS** UNIT:MM



**NOTE**

1. This is a simplified drawing and some components are not marked in detail.
2. Please contact our sales representative if you need further product information.
3. All specifications are subject to change without prior notice.
4. The product shown in this datasheet is a standard model. For diagrams that contain customized or optional I/O, please contact the Winmate Sales Team for more information.