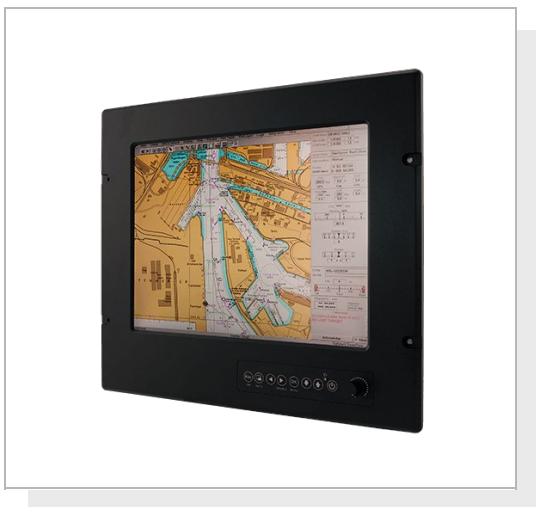


R15L100-MRC3HB

15" Marine High Brightness Display



KEY FEATURES

- 9 to 36V DC to DC power input acceptable (AC power for option)
- Dimming knob control backlight brightness from nearly 0% to 100%
- Ease of use front panel OSD control
- Enhanced shock and vibration resistance
- High brightness TFT-LCD panel enhance the best visibility
- High quality touchscreen / AR protection glass for option
- Panel (flush) mount with IP66 aluminum housing design (IP54 rear)
- PIP(picture in picture) function and multi-video inputs



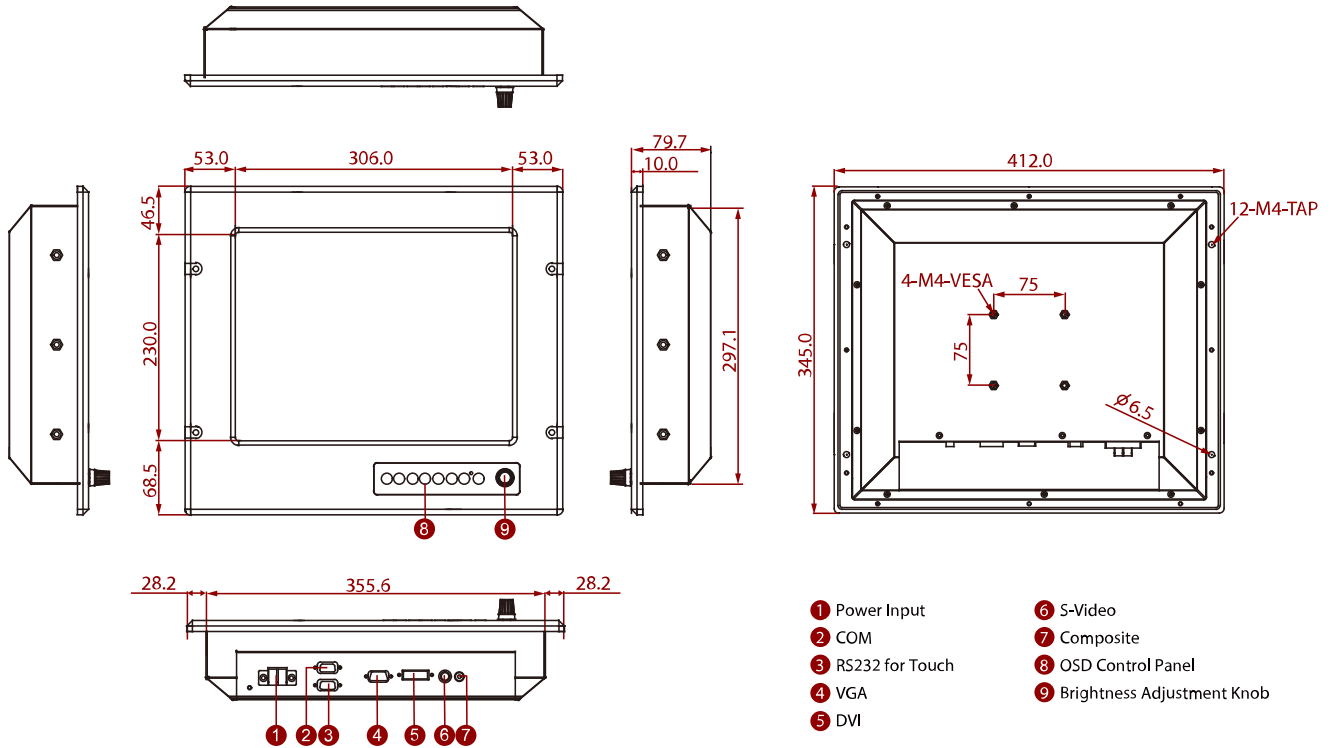
SPECIFICATIONS

Display			
Resolution	1024x768	Size	15.0 inches
Contrast Ratio	2000:1	Panel Brightness	1000 nits
Display Color	16.2M Colors	View Angles	88,88,88,88
Type	Resistive Touch Screen AR Glass(Optional)		
Environment			
Operating Humidity	5% to 95%	Operating Temperature	-15~55°C
Shock	15G, 11ms duration	Vibration	0.7g@DNVGL CG-0339 (Class A)
IP rating	IP66 (Front Side)		
Certification			
Certification	DNVGL-CG-0339, IEC60945 4th, IACS E10, CE, FCC		
IO Ports			
Serial Port	1 x RS232 for Remote Control 1 x RS232/USB for Touch Screen	Video	1 x VGA 1 x DVI-D 1 x Composite 1 x S-Video
Mechanical			
Dimension	412 x 345 x 79.7 mm	Mounting	VESA Mount/ Panel Mount
Enclosure	Metal Housing with Aluminum Bezel	Cooling System	Fanless Design
Power			
Power Rating	24V DC-in with Isolation (Approval by Certificate) 9~36V DC Input Accpetable		
Accessory			
Accessory	1 x User Manual. 1 x CD for Touchscreen Driver Tools. 1 x DVI Cable. 1 x VGA Cable. 1 x RS232 Serial Cable. 1 x S-Video Cable. 1 x Composite Cable.		

Control

Button	8 key: Esc/PIP Auto adjustment Left Right/Source OK/Menu Up Down Power 1 x The Dimming Knob (with a Display Status LED indicator)
---------------	---

DIMENSIONS UNIT:MM



NOTE

1. This is a simplified drawing and some components are not marked in detail.
2. Please contact our sales representative if you need further product information.
3. All specifications are subject to change without prior notice.
4. The product shown in this datasheet is a standard model. For diagrams that contain customized or optional I/O, please contact the Winmate Sales Team for more information.