

R15L100-67C3(HB)

15" G-WIN IP67 Series Display Display



KEY FEATURES

- 5 Wire Resistive Touchscreen / Anti-Reflective Protection Glass
- 9V ~ 36V DC Isolation Wide Range Power Input
- Aluminum Housing with Anti-Corrosion Treatments
- Anti-Shock and Vibration Standard according to IEC60068-2-27
- Built-in ambient Light sensor
- Compliance with EN50155
- Full IP67 Dust Water-proof Protection
- High Quality 15" XGA Panel, 1024 x 768 resolution, 1000 nits
- Optical Bonding with Anti Moisture Treatments



SPECIFICATIONS

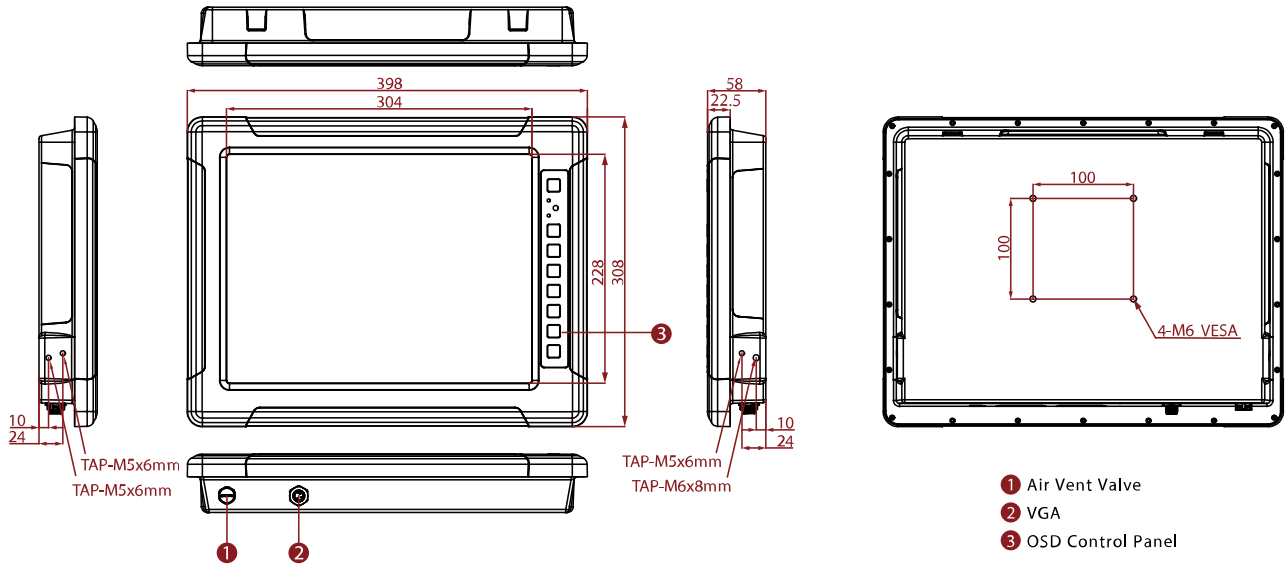
Display			
Resolution	1024x768	Size	15.0 inches
Contrast Ratio	2000:1	Panel Brightness	300 nits
Display Color	16.2M Colors	View Angles	88,88,88,88
Type	Resistive Touch Screen Bonding With Panel Protection Glass Without touch function(Optional)	Optional function	High brightness Panel for sunlight readable(Optional)
Mechanical			
Dimension	398 x 308 x 58 mm	Mounting	VESA Mount Yoke Mount
Enclosure	Aluminum Housing	Cooling System	Fanless design
Environment			
Operating Humidity	10% to 90% (non-condensing)	Operating Temperature	-15~55°C
Storage Temperature	-30~70°C	Shock	30g for 18ms, 300m/s ²
Vibration	1.60/1.96/2.18 g rms for XYZ / 5-500Hz	IP rating	IP67
Certification			
Certification	CE, FCC Class B MIL810F/ IEC60068-2-27 for Vibration /Shock		
IO Ports			
USB Port	1x M12 type connector for Touchscreen via USB signal	Serial Port	1 x M12 type connector for Touchscreen via RS232 signal(Optional)
Video	1x M12 type connector for VGA input 1x M21 type connector for HDMI input(Optional)	Indicator	1 x LED Indicator for power 1 x LED Indicator for status
Control			
Button	1 x Power Button 1 x Adjust up button 1 x Adjust down button 1 x ESC (Auto) button 1 x OK (Menu) button		
Accessory			
Accessory	External open wire Power cable with waterproof connector	Optional Accessory	Yoke mount stand 100~240V AC to DC Adapter with power cord

External USB cable with waterproof connector
External VGA cable with waterproof connector
Waterproof caps
Driver CD & Manual
VESA screws

External COM cable with waterproof connector
External HDMI cable with waterproof connector

System Specification

DIMENSIONS UNIT:MM



NOTE

1. This is a simplified drawing and some components are not marked in detail.
2. The product shown in this datasheet is a standard model. For diagrams that contain customized or optional I/O, please contact the Winmate Sales Team for more information.
3. All specifications are subject to change without prior notice.