

# R15IW3S-SPC369-P1

15" Intel® Core™ i5-8265U IP69K Stainless P Series Panel PC



## KEY FEATURES

- Intel® Core™ i5-8265U 1.6GHz
- Fanless cooling system
- SUS316 / AISI 316 stainless steel for food and chemical industries
- Full IP69K waterproof enclosure
- A true flat, easy-to-clean front surface with edge-to-edge design
- Waterproof sealed conduit pipe for cable protection
- Support VESA mount, and optional Yoke mount stand
- Support Glove/ Rain mode
- Optical bonding (optional)



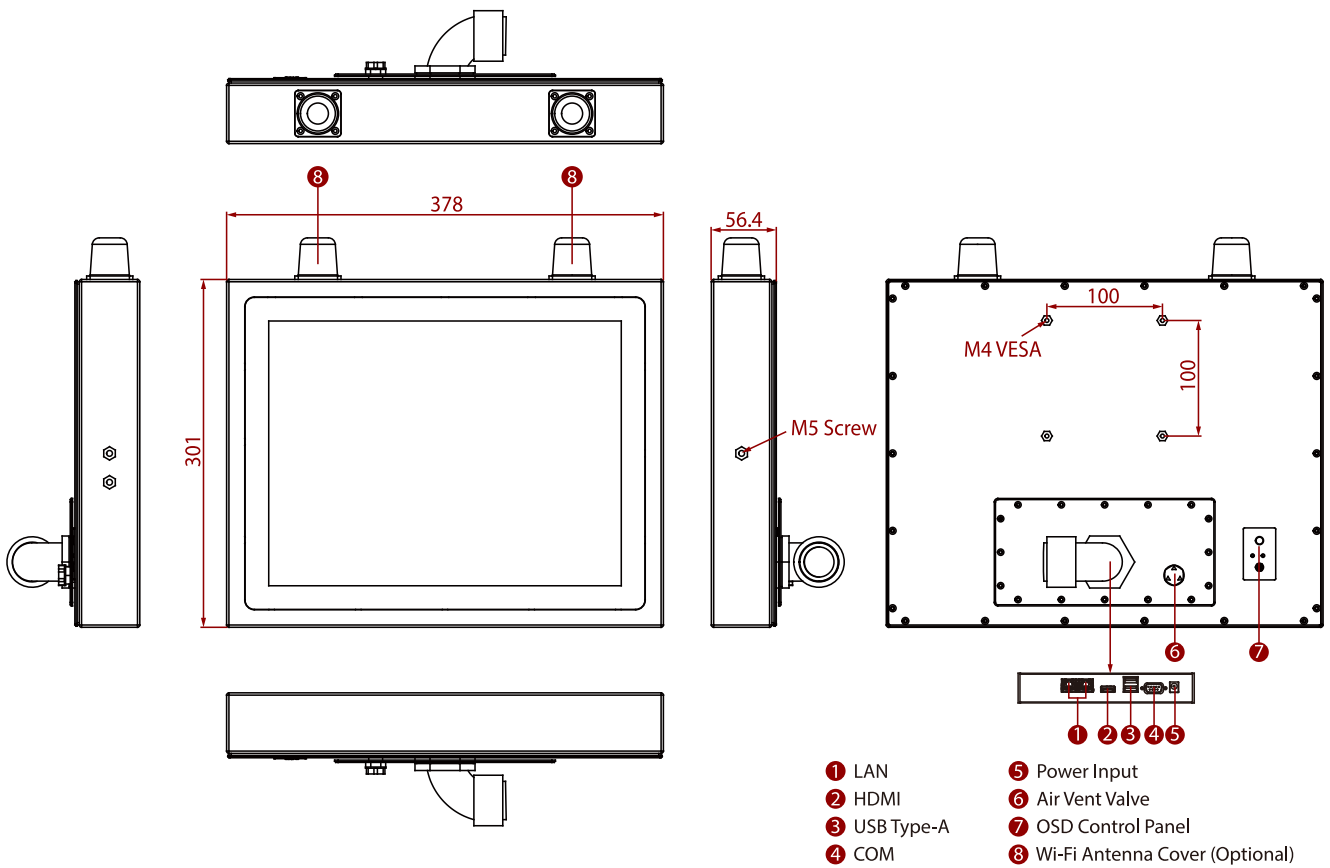
## SPECIFICATIONS

Display			
<b>Resolution</b>	1024x768	<b>Size</b>	15 inches
<b>Contrast Ratio</b>	2000:1	<b>Panel Brightness</b>	300 nits
<b>View Angles</b>	88,88,88,88	<b>Active Area</b>	304.1x228.1 mm
<b>Touch / Glass</b>	Projected Capacitive Multi Touch Screen		
System Specification			
<b>WLAN</b>	Support (Optional)	<b>BT</b>	Support (Optional)
<b>Processor</b>	Intel® Core™ i5 -8265U (6M Cache, 1.6GHz up to 3.9 GHz)	<b>Memory</b>	1 x SO-DIMM, DDR4 2400 MHz, 4GB 8GB (Optional) 16GB (Optional) 32GB (Optional)
<b>Storage</b>	1 x M.2 2242 B-key SSD 128GB M.2 2242 B-key SSD up to 512GB (Optional) M.2 2280 M-Key NVME SSD, up to 4TB (Optional)	<b>Ethernet controller</b>	Intel® Ethernet Controller I210-AT + Intel® Ethernet Connection I219-LM
<b>Security</b>	TPM 2.0	<b>Operating System</b>	Windows 10 IoT Enterprise (Optional) Linux Ubuntu 18.04 (Optional) Linux Ubuntu 20.04 (Optional)
Mechanical			
<b>Dimension</b>	378 x 301 x 56.2 mm	<b>Mounting</b>	VESA Mount Yoke Mount
<b>Enclosure</b>	Stainless Housing	<b>Cooling System</b>	Fanless design
Environment			
<b>Operating Humidity</b>	10% to 90% (non-condensing)	<b>Operating Temperature</b>	0~45°C
<b>Storage Temperature</b>	-20~60°C	<b>IP rating</b>	IP69K
Certification			
<b>Certification</b>	CE, FCC		
IO Ports			
<b>USB Port</b>	2 x USB 3.0	<b>Serial Port</b>	1 x RS232/422/485 (Default RS232) 1 x RS232 (Optional)
<b>Video</b>	1 x HDMI	<b>LAN</b>	2 x RJ-45

<b>Control</b>	
<b>Button</b>	1 x Power Button
<b>Accessory</b>	
<b>Accessory</b>	1 x Waterproof Conduit 1.5m 1 x Waterproof Conduit 0.3m 2 x Elbow for connect the conduit 1 x AC to DC power adapter with power cord 1 x D-sub9(male) to RJ45 adapter 1 x D-sub9(female) to RJ45 adapter 1 x External RJ45 male to male cable Driver CD & Manual VESA screws
<b>Optional Accessory</b>	1 x Open wire cable for phoenix connector (Optional) Yoke mount stand kit (Optional)
<b>Power</b>	
<b>Power Rating</b>	12V DC input

## DIMENSIONS UNIT:MM

### Winmate R15IW3S-SPC369-P1



## NOTE

1. The yoke mount stand kit is an optional accessory.
2. Wi-Fi antenna is an optional feature.
3. The product shown in this datasheet is a standard model. For diagrams that contain customized or optional I/O, please contact the Winmate Sales Team for more information.