

R15IB3S-65EX

15" ATEX Panel PC



KEY FEATURES

- 15" 1024 x 768, PCAP touchscreen
- Class 1, Division 2 & ATEX Zone 2 & IECEx Zone 2 device certified for hazardous area application
- Fanless design with streamlined enclosure for highly efficient heat dissipation
- Intel® Celeron® Processor N2930
- Wide operating temperature -20°C to 50°C



SPECIFICATIONS

System Specification			
Processor	Intel® Celeron® N2930 (2M Cache, up to 2.16 GHz)	Memory	1 x SO-DIMM, DDR3L 1600 MHz, 4GB 8GB(Optional)
Storage	1 x mSATA SSD 64GB. mSATA SSD up to 512GB.(Optional)	Expansion	1 x mPCIe slot(for half size Wifi module) 1 x mPCIe slot(for SSD)
Ethernet controller	2 x Intel® Ethernet Controller I210-AT	Security	TPM 2.0
Operating System	Windows 7 Embedded Systems(Optional) Windows 10 IoT Enterprise(Optional) Linux Ubuntu 18.04(Optional)		
Display			
Type	Projected Capacitive Multi Touch Screen Bonding With Panel	Resolution	1024x768
Size	15.0 inches	Contrast Ratio	2000:1
Panel Brightness	550 nits	View Angles	88,88,88,88
Mechanical			
Dimension	396 x 310 x 49 mm	Mounting	VESA Mount
Enclosure	Stainless Housing	Cooling System	Fanless design
Environment			
Operating Humidity	10% to 95% (non-condensing)	Operating Temperature	-20~50°C
Storage Temperature	-20~50°C	Shock	MIL-STD-810G Method 516.6
Vibration	MIL-STD-810G Method 514.6	IP rating	IP65
Drop	MIL-STD-810G Method 516.6		
Certification			
Certification	CE, FCC IECEx Zone 2 Certification (applied for) nA IIC T4 Gc -20 °C ≤ Ta ≤ +50 °C ATEX Zone 2 Certification (applied for) II 3 G Ex nA IIC T4 Gc -20 °C ≤ Ta ≤ +50 °C UL Listing Certification (applied for) Class I, Division 2, Groups A, B, C, and D		
IO Ports			
USB Port	1x M21 type connector for 2 x USB2.0	Serial Port	1 x M12 connector for RS232/422/485 (Default RS232)

LAN	1 x M12 type connector for Giga LAN	Indicator	1 x LED Indicator for power 1 x LED Indicator for storage
------------	-------------------------------------	------------------	--

Control

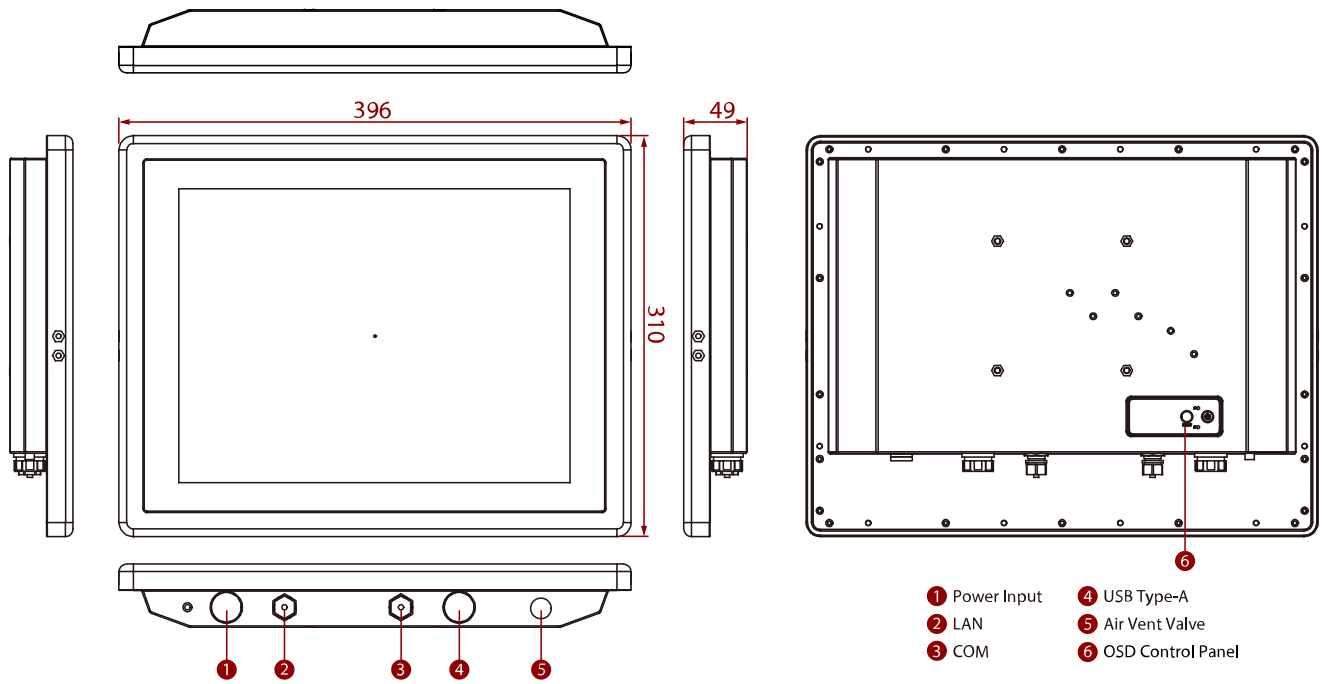
Button	1 x Power Button 1 x Reset Button
---------------	--------------------------------------

Accessory

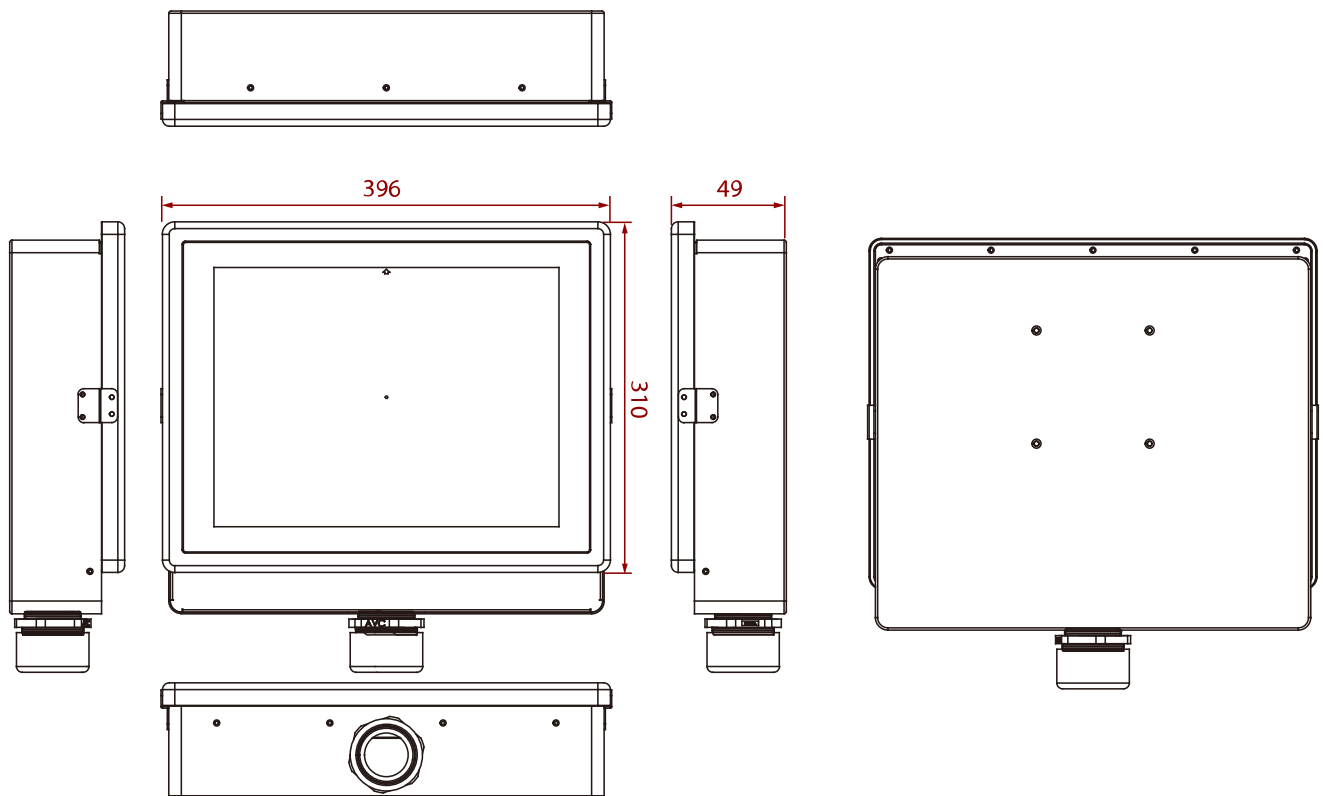
Accessory	100~240V AC to DC Power Adapter with IP65 Connector Power Cord IP65 M21 Power Cable IP65 M12 RS232 Male Cable IP65 M21 USB Female Cable IP62 M12 LAN Cable RJ45 female-female converter USB Adapter (USB type A to type B) Driver CD & Manual VESA screws
------------------	---

DIMENSIONS UNIT:MM

w/o Box Cover



With Box Cover



NOTE

1. Total usable memory will be less dependent upon actual system configuration.
2. Length measurements do not include protrusions. Weight varies with options.
3. Measured at maximum backlight and high CPU load.
4. Accessories and Integrated Options may vary depending on your configuration.
5. The product shown in this datasheet is a standard model. For diagrams that contain customized or optional I/O, please contact the Winmate Sales Team for more information.

