

R12L600-MRM2HB

12.1" Marine High Brightness Display



KEY FEATURES

- 9 to 36V DC to DC power input acceptable (AC power for option)
- Dimming knob control backlight brightness from nearly 0% to 100%
- Ease of use front panel OSD control
- Enhanced shock and vibration resistance
- High brightness TFT-LCD Panel enhances the best visibility(Optional)
- High quality touchscreen / AR protection glass for option
- IP66 aluminum housing with powder coating design (IP54 rear)
- PIP(picture in picture) function and multi-video inputs



SPECIFICATIONS

Display	
Resolution	1024x768
Contrast Ratio	700:1
Display Color	16.2M Colors
Type	Resistive Touch Screen SAW Touch (Surface Acoustic Wave)(Optional) AR Glass(Optional)
Size	12.1 inches
Panel Brightness	1000 nits
View Angles	80,80,70,70
Environment	
Operating Humidity	5% to 95%
Shock	15G,11ms duration
IP rating	IP66 (Front Side)
Operating Temperature	-15~55°C
Vibration	0.7g@DNVGL CG-0339 (Class A)
Certification	
Certification	DNVGL-CG-0339, IEC60945 4th, IACS E10, CE, FCC
IO Ports	
Serial Port	1 x RS-232 for Touch Screen(Optional) 1 x RS-232 for Remote Control(Optional)
Video	1 x D-SUB 15P Connector(Female) 1 x RCA Phono Plug 1 x S-Video (SVHS) Plug 1 x DVI-D Input 24 Pin Connector
Mechanical	
Dimension	296.2 x 267.2 x 45.5 mm
Enclosure	Metal Housing with Aluminum Bezel
Mounting	VESA Mount/ Panel Mount
Cooling System	Fanless Design
Power	
Power Rating	24V DC-in with Isolation (Approval by Certificate) 9~36V DC Input Accpetable
Accessory	
Accessory	1 x User Manual. 1 x CD for Touchscreen Driver Tools. 1 x DVI Cable. (DVI-D 24 Pin Male to 24 Pin Male: 1.5m.) 1 x Std VGA Cable. (D-SUB 15 Pin Male to 15 Pin Male: 1.8m) 2 x RS232 Std Serial Cable.
Optional Accessory	1 x Transflective LCD User Guide.(Optional) 1 x Standard Power Cord.(Optional) Euro / U.S. Std Type, 1.8m(Optional)

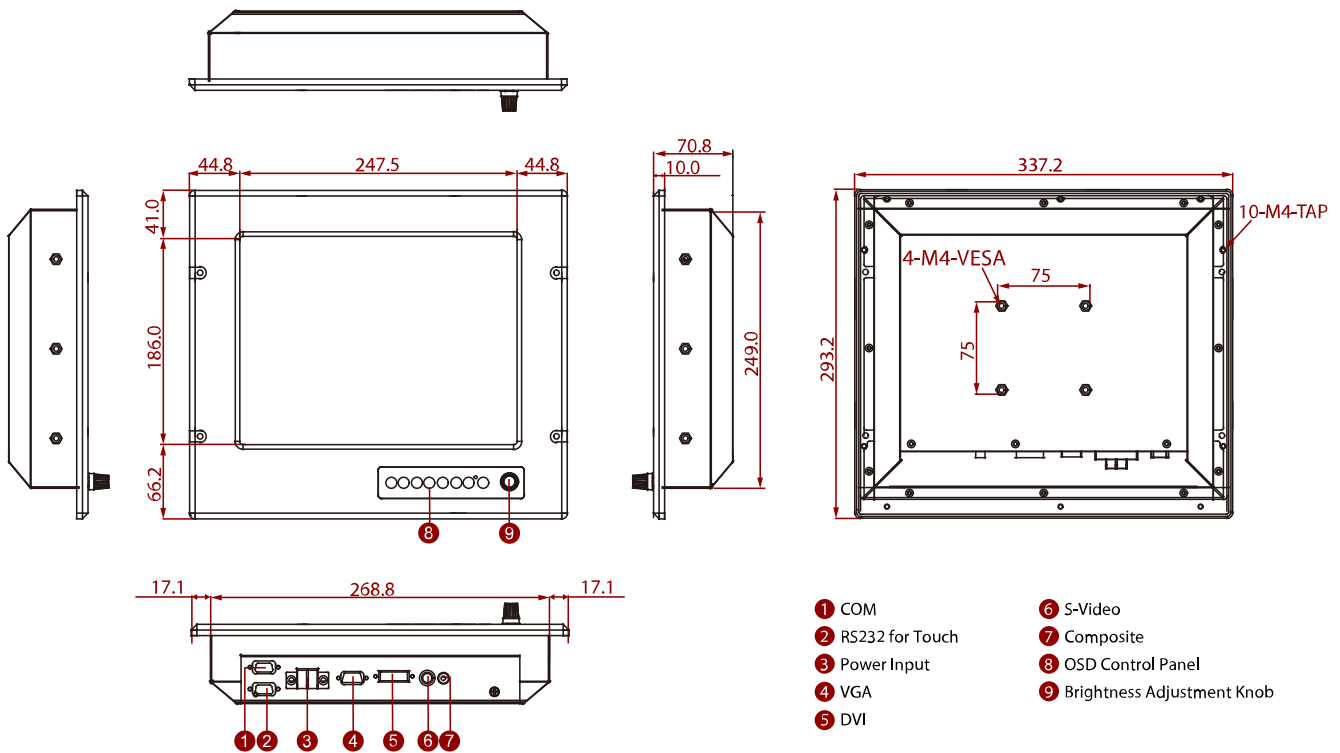
(D-SUB 9 Pin Male to 9 Pin Female: 2m)
 1 x S-Video Cable.
 (MD 4 Pin Male to 4 Pin Male: 1.8m)
 1 x Composite Cable.
 (Std RCA 3.2mm Connector: 1.8m)
 4 x M6 x 30 Black Screw Bolt with M6 Nut.
 M4 x 15 Black Screw Bolt.

Control

Button

- 8 key:
 - Esc/PIP
 - Auto adjustment
 - Left
 - Right/Source
 - OK/Menu
 - Up
 - Down
 - Power
- 1 x The Dimming Knob
 (with a Display Status LED indicator)

DIMENSIONS UNIT:MM



NOTE

1. This is a simplified drawing and some components are not marked in detail.
2. Please contact our sales representative if you need further product information.
3. All specifications are subject to change without prior notice.
4. The product shown in this datasheet is a standard model. For diagrams that contain customized or optional I/O, please contact the Winmate Sales Team for more information.