

R12L600-MRM2

12.1" Marine Display



KEY FEATURES

- 12.1" 1024 x 768 resolution
- 9 to 36 V DC power supply with terminal block (Default)
- Certified DNVGL-CG-0339, IEC60945 4th, IACS E10
- Dimming knob to control backlight brightness from nearly 0% to 100%
- Ease-of-use front panel OSD control
- Enhanced shock and vibration resistance
- IP66 aluminum housing with powder coating design (IP54 rear)
- Picture-in-picture (PIP) function and multi-video inputs
- Resistive touch screen (Optional protection glass w/o touch function)

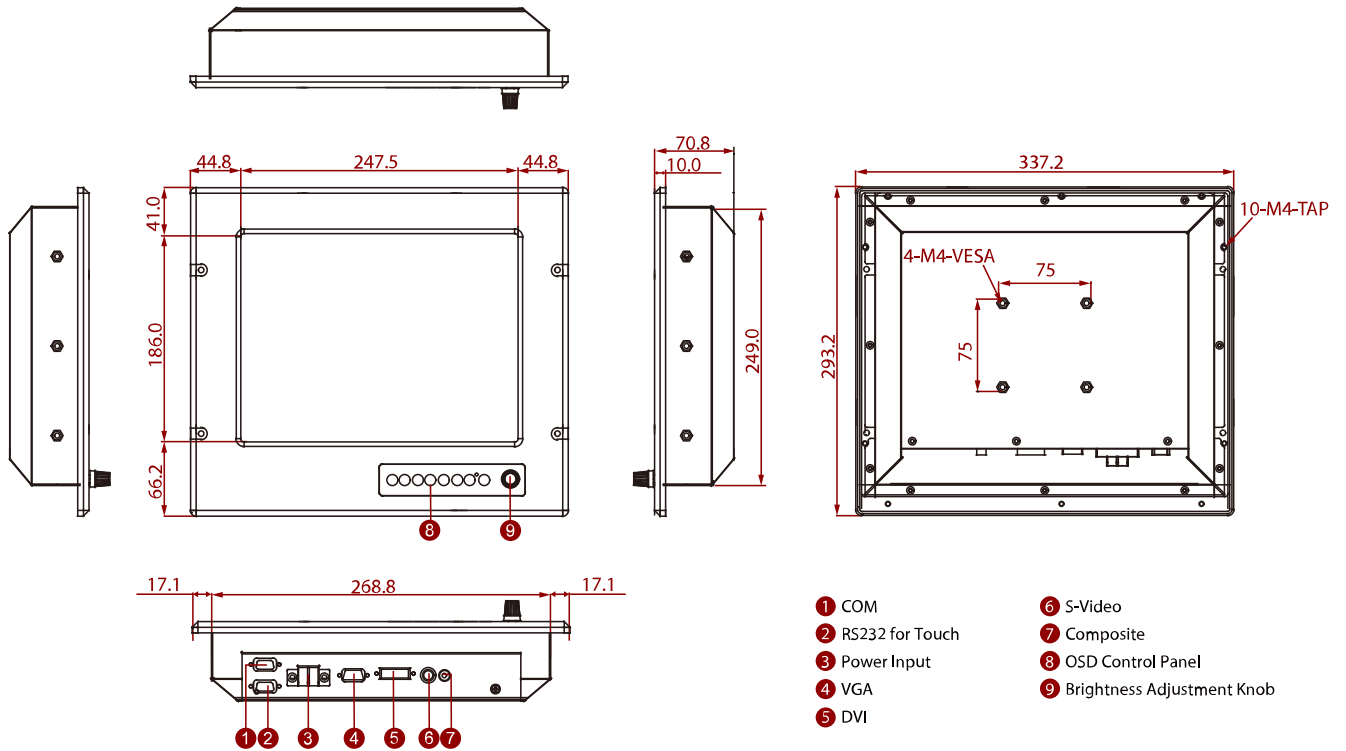


SPECIFICATIONS

| Display | |
|------------------------------|---|
| Resolution | 1024x768 |
| Contrast Ratio | 700:1 |
| Display Color | 16.2M Colors |
| Type | Resistive Touch Screen (Optional Protection Glass w/o Touch Function) |
| Size | 12.1 inches |
| Panel Brightness | 500 nits |
| View Angles | 89,89,89,89 |
| Optional Function | Option 1: AR Glass Option 2: SAW Touch (Surface Acoustic Wave) |
| Environment | |
| Operating Humidity | 5% to 95% |
| Operating Temperature | -15~55°C |
| Shock | 15G, 11ms duration |
| Vibration | 0.7g@DNVGL CG-0339 (Class A) |
| IP rating | IP66 (Front Side) |
| Certification | |
| Certification | DNVGL-CG-0339, IEC60945 4th, IACS E10, CE, FCC |
| IO Ports | |
| Serial Port | 1 x RS-232 for Touch Screen(Optional) 1 x RS-232 for Remote Control(Optional) |
| Video | 1 x D-SUB 15P Connector(Female) 1 x RCA Phono Plug 1 x S-Video (SVHS) Plug 1 x DVI-D Input 24 Pin Connector |
| Mechanical | |
| Dimension | 296.2 x 267.2 x 45.5 mm |
| Mounting | Vesa Mount/ Panel Mount |
| Enclosure | Metal Housing with Aluminum Bezel |
| Cooling System | Fanless Design |
| Power | |
| Power Rating | 9 to 36 V DC power supply with Terminal block (Default) |
| Accessory | |
| Accessory | 1 x User Manual. 1 x CD for Touchscreen Driver Tools. 1 x DVI Cable. (DVI-D 24 Pin Male to 24 Pin Male: 1.5m.) 1 x Std VGA Cable. |
| Optional Accessory | 1 x Transflective LCD User Guide. 1 x Standard Power Cord. Euro / U.S. Std Type, 1.8m |

(D-SUB 15 Pin Male to 15 Pin Male: 1.8m)
 2 x RS232 Std Serial Cable.
 (D-SUB 9 Pin Male to 9 Pin Female: 2m)
 1 x S-Video Cable.
 (MD 4 Pin Male to 4 Pin Male: 1.8m)
 1 x Composite Cable.
 (Std RCA 3.2mm Connector: 1.8m)
 4 x M6 x 30 Black Screw Bolt with M6 Nut.
 M4 x 15 Black Screw Bolt.

DIMENSIONS UNIT:MM



NOTE

1. This is a simplified drawing and some components are not marked in detail.
2. Please contact our sales representative if you need further product information.
3. All specifications are subject to change without prior notice.
4. The product shown in this datasheet is a standard model. For diagrams that contain customized or optional I/O, please contact the Winmate Sales Team for more information.