

# R12IB3S-GSM2(HB)

12.1" G-WIN GS-Series Full IP65 PCAP Panel PC



## KEY FEATURES

- 1 x LAN, 1 x RS232, 1 x USB 2.0
- 12.1" 1024 x 768 Resolution with Projected Capacitive Multi-Touch (P-CAP)
- Edge-to-edge design
- Fanless cooling system and ultra-low power consumption
- Full IP65 design with Special M12 Waterproof connectors
- Intel® Celeron® Bay Trail-M N2930 1.83 GHz



## SPECIFICATIONS

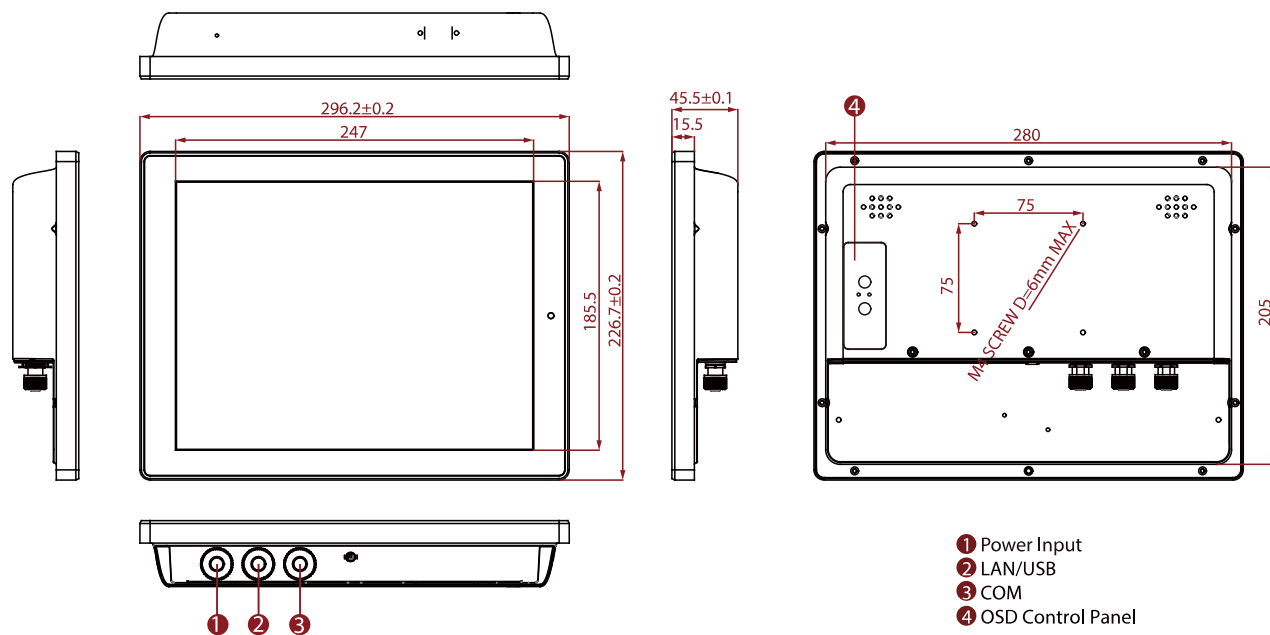
Display	
<b>Resolution</b>	1024x768
<b>Contrast Ratio</b>	700:1
<b>View Angles</b>	89,89,89,89
<b>Size</b>	12.1 inches
<b>Panel Brightness</b>	500 nits
<b>Type</b>	Projected Capacitive Multi Touch Screen Protection Glass(Optional) High brightness Panel(1000 nits)(Optional)
System Specification	
<b>Processor</b>	Intel® Celeron® N2930 (2M Cache, up to 2.16 GHz)
<b>Storage</b>	1 x mSATA SSD 64GB. mSATA SSD up to 512GB.(Optional)
<b>Ethernet controller</b>	2 x Intel® Ethernet Controller I210-AT
<b>Operating System</b>	Windows 7 Embedded Systems(Optional) Windows 10 IoT Enterprise(Optional) Linux Ubuntu 18.04(Optional)
<b>Memory</b>	1 x SO-DIMM, DDR3L 1600 MHz, 4GB 8GB(Optional)
<b>Expansion</b>	1 x mPCIe slot(for half size Wifi module) 1 x mPCIe slot(for SSD)
<b>Security</b>	TPM 2.0
Environment	
<b>Operating Humidity</b>	10% to 95% RH
<b>Storage Temperature</b>	-30°C to 60°C
<b>Vibration</b>	1.48/1.90/2.24 g rms for XYZ/ 5-500Hz
<b>Operating Temperature</b>	-15 °C to 55 °C
<b>Shock</b>	40g for 11ms
<b>IP rating</b>	Full IP65
Certification	
<b>Certification</b>	Compliant with MIL-STD-810F/G for vibration / shock, CE, FCC
IO Ports	
<b>USB Port</b>	1 x USB 2.0 (M12 type)
<b>LAN</b>	1 x LAN-10/100/1000 (M12 type)
<b>Serial Port</b>	1 x RS232 (M12 type)(Optional 422/485)
<b>Indicator</b>	LED Indicators: Power, Storage
Mechanical	
<b>Dimension</b>	296.2 x 226.7 x 45.5 mm
<b>Enclosure</b>	Aluminum
<b>Mounting</b>	VESA Mount/ Panel Mount
<b>Cooling System</b>	Fanless Design
Power	
<b>Power Rating</b>	9-36V DC (M12 type)
Accessory	

<b>Accessory</b>	Quick Start Guide (Hardcopy) Driver CD & User Manual M12 Power Cable M12 Serial Interface Cable M12 USB/ LAN Cable I/O Protective Cap x 3
------------------	--

**Control**

<b>Button</b>	1 x Power Button 1 x Reset Button
---------------	--------------------------------------

**DIMENSIONS** UNIT:MM



**NOTE**

1. This is a simplified drawing and some components are not marked in detail.
2. Please contact our sales representative if you need further product information.
3. All specifications are subject to change without prior notice.
4. The product shown in this datasheet is a standard model. For diagrams that contain customized or optional I/O, please contact the Winmate Sales Team for more information.