

# R10L100-SPT269

## 10.4" IP69K Flat Stainless PCAP Chassis Display



### KEY FEATURES

- 10.4", 1024 x 768, PCAP touch with flat design
- Full IP69K waterproof enclosure, good corrosion resistance
- Supports VESA mount
- SUS 316/ AISI 316 stainless steel for food and chemical industries
- VGA, USB, DVI-D input



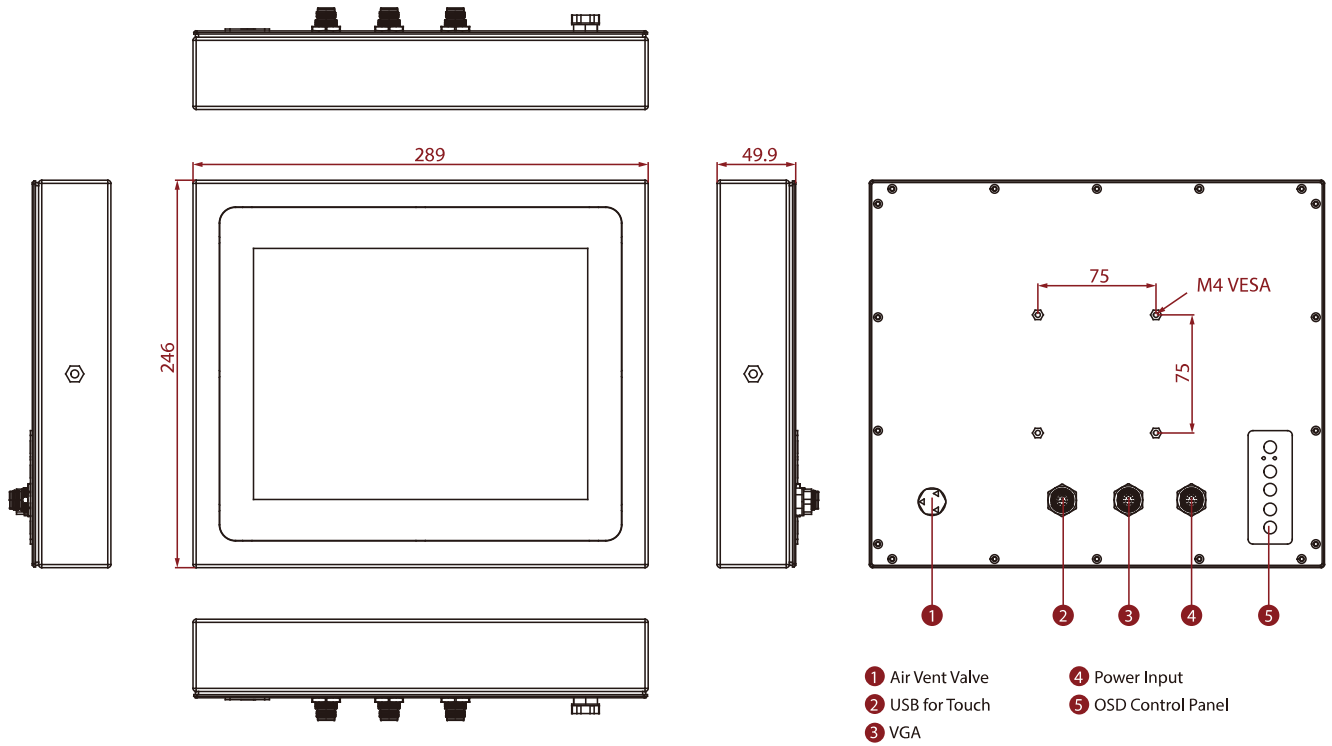
### SPECIFICATIONS

Display			
<b>Resolution</b>	1024x768	<b>Size</b>	10.4 inches
<b>Contrast Ratio</b>	1000:1	<b>Panel Brightness</b>	350 nits
<b>Display Color</b>	16.2M Colors	<b>View Angles</b>	88,88,88,88
<b>Type</b>	Projected Capacitive Multi Touch Screen		
Mechanical			
<b>Dimension</b>	289 x 246 x 49.9 mm	<b>Mounting</b>	VESA Mount Yoke Mount
<b>Enclosure</b>	Stainless Housing	<b>Cooling System</b>	Fanless design
Environment			
<b>Operating Humidity</b>	10% to 90% (non-condensing)	<b>Operating Temperature</b>	0~45°C
<b>Storage Temperature</b>	-20~60°C	<b>IP rating</b>	IP69K
Certification			
<b>Certification</b>	CE, FCC		
IO Ports			
<b>USB Port</b>	1 x M12 waterproof connector for touch screen control	<b>Video</b>	1x M12 type connector for VGA input 1x waterproof DVI input(Optional) 1x M21 type connector for HDMI input(Optional)
<b>Indicator</b>	1 x LED Indicator for power 1 x LED Indicator for status		
Control			
<b>Button</b>	1 x Power Button 1 x Adjust up button 1 x Adjust down button 1 x ESC (Auto) button 1 x OK (Menu) button		
Accessory			
<b>Accessory</b>	100~240V AC to DC Adapter with waterproof connector Power Cord External USB cable with waterproof connector for touchscreen control External VGA cable with waterproof connector Waterproof caps	<b>Optional Accessory</b>	External HDMI cable with waterproof connector External DVI cable with waterproof connector

## Power

Power Rating 12V DC (M12 type)

## DIMENSIONS UNIT:MM



## NOTE

1. This is a simplified drawing and some components are not marked in detail.
2. Please contact our sales representative if you need further product information.
3. All specifications are subject to change without prior notice.
4. The product shown in this datasheet is a standard model. For diagrams that contain customized or optional I/O, please contact the Winmate Sales Team for more information.