

R10L100-MLT2

10.4" G-WIN Military Display (Vehicle Mount)



KEY FEATURES

- 10.4", 1024 x 768 resolution
- 5-wire resistive touch, AR protection glass (Optional)
- Aluminum housing with anti-corrosion treatment
- Compliant MIL-STD 810G/ MIL-STD 461E
- Full IP65 dust and water proof enclosures, except I/O parts
- Military-grade power connector (MIL-DTL-38999/1)
- Power input 12 V DC in (Optional 9-36 V DC)



SPECIFICATIONS

Display	
Resolution	1024x768
Contrast Ratio	1000:1
Display Color	16.2M Colors
Type	5 Wire Resistive Touch Screen AR Glass(Optional)
Size	10.4 inches
Panel Brightness	350 nits
View Angles	88,88,88,88
Environment	
Operating Humidity	10% to 95% RH
Storage Temperature	-20°C~70°C
Vibration	Operating: 1.60/1.96/2.18 g rms for XYZ / 5-500Hz
Operating Temperature	-20°C~70°C
Shock	Operating:30g for 18ms
Compliance	
Compliance	MIL-STD 461E/F (Compliance) RE101 / RE102 CE101 / CE 101 RS101 / RS 103 CS101 / CS 106 / CS 109 / CS 114 / CS 115 / CS 116 MIL-STD 810F/G (Compliance) Vibration MIL-STD-810F/G Method 514.5 Humidity MIL-STD-810F/G Method 507.4 Transit Drop MIL-STD-810F/G Method 516.5 with EMI Glass / Touch(Optional)
Certification	
Certification	CE, FCC
IO Ports	
Serial Port	1x RS232 for Touch Screen(Optional)
Video	1 x VGA(Military Grade) Composite Video(Optional) S-Video(Optional)
Audio	Audio Line in(Optional)
Mechanical	
Dimension	316 x 250 x 67 mm
Mounting	VESA Mount
Enclosure	Metal Housing with Aluminum Bezel
Cooling System	Fanless Design
Accessory	

Accessory

User Manual
 Touch Driver CD
 Open Wire Cable

Optional Accessory Mounting Bracket(Optional)**Power**

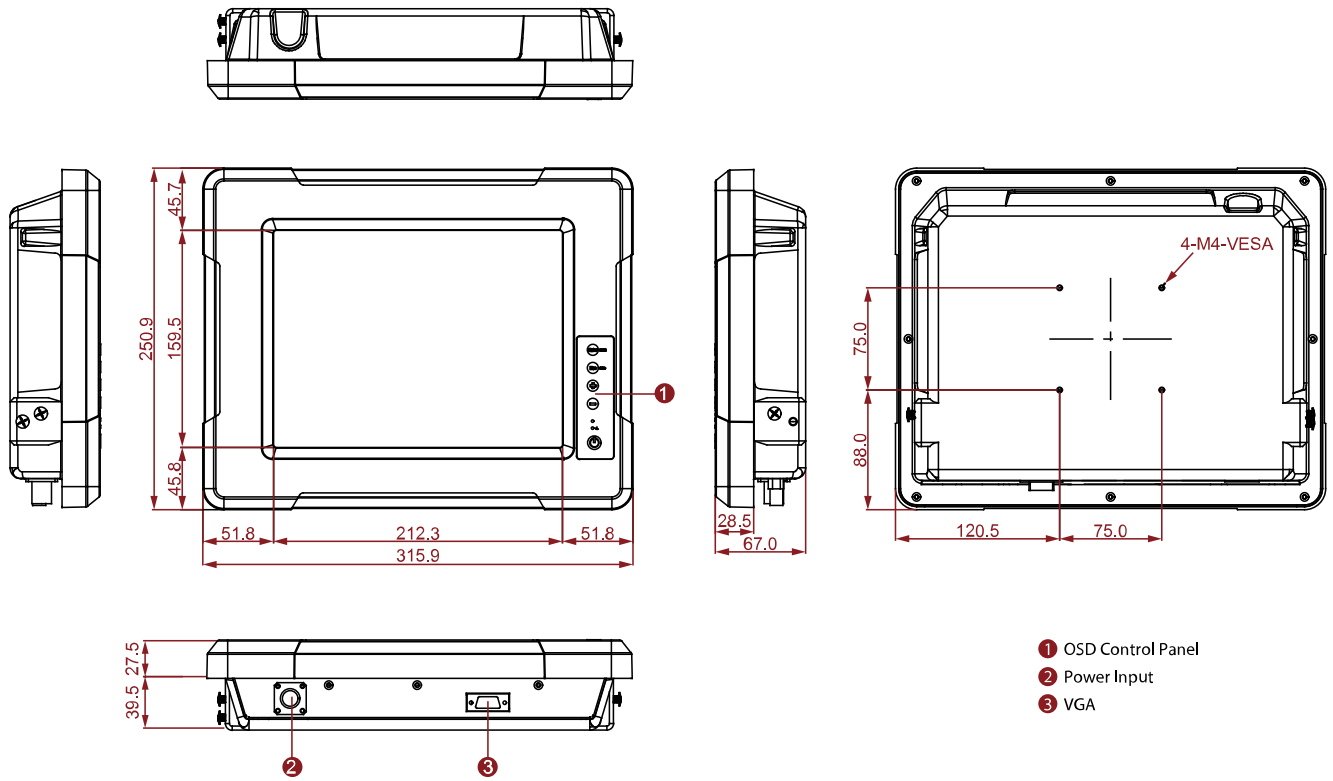
Power Rating 12V DC (MIL-DTL-38999/1 connector)
 9V to 36V wide range (Optional)

Control

Button 5 Keys: -, +, Power, Esc, Enter
 (with LED Indicators: Power on, Stand by)

DIMENSIONS

UNIT:MM

**NOTE**

1. This is a simplified drawing and some components are not marked in detail.
2. Please contact our sales representative if you need further product information.
3. All specifications are subject to change without prior notice.
4. The product shown in this datasheet is a standard model. For diagrams that contain customized or optional I/O, please contact the Winmate Sales Team for more information.