

# R10IB3S-SPT269

## 10.4" IP69K Flat Stainless PCAP Panel PC



### KEY FEATURES

- 10.4", 1024 x 768 ,P-cap touch with flat design
- A true flat, easy-to-clean front surface with edge-to-edge design
- Full IP69K waterproof enclosure, good corrosion resistance
- Intel® Celeron® Bay Trail-M N2930, 1.83 GHz
- Plenty of I/Os, including USB 2.0, RS232 and RJ45-10/100/1000LAN
- Supports Glove/ Rain mode
- Supports VESA mount
- SUS 316 / AISI 316 stainless steel for food and chemical industries
- Waterproof ports with adapter cables for external connectivity



### SPECIFICATIONS

Display			
<b>Resolution</b>	1024x768	<b>Size</b>	10.4 inches
<b>Contrast Ratio</b>	1000:1	<b>Panel Brightness</b>	350 nits
<b>View Angles</b>	88,88,88,88	<b>Type</b>	Projected Capacitive Multi Touch Screen
System Specification			
<b>Processor</b>	Intel® Celeron® N2930 (2M Cache, up to 2.16 GHz)	<b>Memory</b>	1 x SO-DIMM, DDR3L 1600 MHz, 4GB 8GB(Optional)
<b>Storage</b>	1 x mSATA SSD 64GB. mSATA SSD up to 512GB.(Optional)	<b>Expansion</b>	1 x mPCIe slot(for half size Wifi module) 1 x mPCIe slot(for SSD)
<b>Ethernet controller</b>	2 x Intel® Ethernet Controller I210-AT	<b>Security</b>	TPM 2.0
<b>Operating System</b>	Windows 7 Embedded Systems(Optional) Windows 10 IoT Enterprise(Optional) Linux Ubuntu 18.04(Optional)	<b>WLAN</b>	802.11 a/b/g/n/ac(Optional)
<b>BT</b>	BT Support(Optional)		
Mechanical			
<b>Dimension</b>	289 x 246 x 49.9 mm	<b>Mounting</b>	VESA Mount Yoke Mount
<b>Enclosure</b>	Stainless Housing	<b>Cooling System</b>	Fanless design
Environment			
<b>Operating Humidity</b>	10% to 90% (non-condensing)	<b>Operating Temperature</b>	0~45°C
<b>Storage Temperature</b>	-20~60°C	<b>IP rating</b>	IP69K
Certification			
<b>Certification</b>	CE, FCC		
IO Ports			
<b>USB Port</b>	1x M12 waterproof connector for 2 x USB2.0	<b>Serial Port</b>	1 x M12 waterproof connector for RS232
<b>LAN</b>	1 x waterproof Giga LAN RJ45 connector	<b>Indicator</b>	1 x LED Indicator for power 1 x LED Indicator for storage
Control			
<b>Button</b>	1 x Power Button 1 x Reset Button		

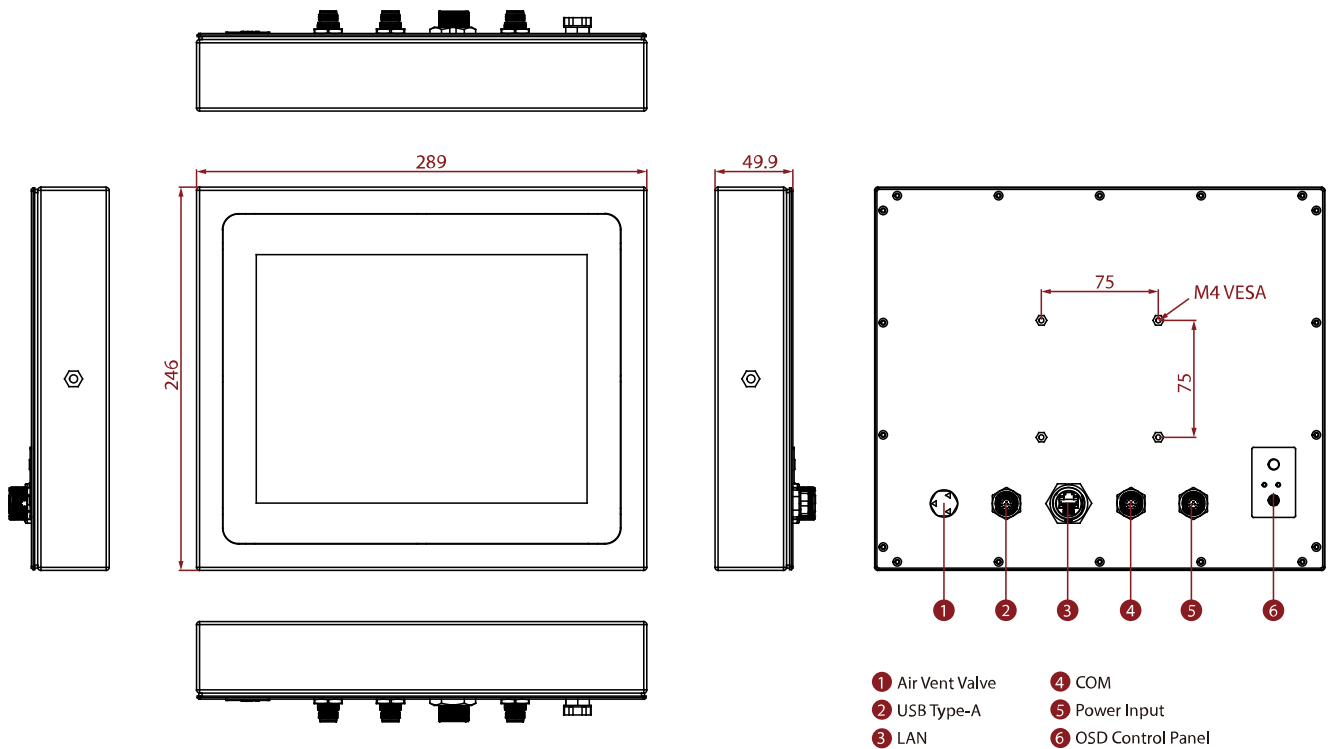
## Accessory

Accessory	100~240V AC to DC Adapter with waterproof connector Power Cord External USB cable with waterproof connector External COM cable with waterproof connector External LAN cable with waterproof connector Waterproof caps Driver CD & Manual VESA screws
-----------	---

## Power

Power Rating	12V DC (M12 type)
--------------	-------------------

## DIMENSIONS UNIT:MM



## NOTE

1. This is a simplified drawing and some components are not marked in detail.
2. The product shown in this datasheet is a standard model. For diagrams that contain customized or optional I/O, please contact the Winmate Sales Team for more information.
3. All specifications are subject to change without prior notice.