

# R08L100-MLU1

## 8.4" G-WIN Military Display (Vehicle Mount)



### KEY FEATURES

- 5-wire resistive touch screen, AR protection glass (Optional)
- 8.4" 800 x 600 resolution
- Compliant MIL-STD 810G/ MIL-STD 461E
- Convenient on-screen display controls
- Fanless design and efficient heat dissipation
- Military-grade connectors
- Power input 12 V DC military-grade connector (Optional 9-36 V DC wide range )
- Supports VESA mount



### SPECIFICATIONS

| Display                      |  |
|------------------------------|--|
| <b>Resolution</b>            | 800x600  |
| <b>Contrast Ratio</b>        | 600:1  |
| <b>Display Color</b>         | 262K Colors  |
| <b>Type</b>                  | 5 Wire Resistive Touch Screen<br>AR Glass(Optional)  |
| <b>Size</b>                  | 8.4 inches   |
| <b>Panel Brightness</b>      | 600 nits   |
| <b>View Angles</b>           | 75,75,60,70  |
| Environment                  |  |
| <b>Operating Humidity</b>    | 10% to 95% RH  |
| <b>Storage Temperature</b>   | -30°C~80°C   |
| <b>Operating Temperature</b> | -20°C~70°C   |
| <b>Vibration</b>             | Operating: 1.60/1.96/2.18 g rms for XYZ / 5-500Hz  |
| <b>Shock</b>                 | Operating:30g for 18ms   |
| Compliance                   |  |
| <b>Compliance</b>            | MIL-STD 461E/F (Compliance)<br>RE101 / RE102<br>CE101 / CE 101<br>RS101 / RS 103<br>CS101 / CS 106 / CS 109 / CS 114 / CS 115 / CS 116<br>MIL-STD 810F/G (Compliance)<br>Vibration MIL-STD-810F/G Method 514.5<br>Humidity MIL-STD-810F/G Method 507.4<br>Transit Drop MIL-STD-810F/G Method 516.5<br>with EMI Glass / Touch(Optional) |
| Certification                |  |
| <b>Certification</b>         | CE, FCC  |
| IO Ports                     |  |
| <b>Serial Port</b>           | 1x RS232 for Touch Screen(Optional)  |
| <b>Video</b>                 | 1 x VGA(Military Grade)<br>Composite Video(Optional)<br>S-Video(Optional)  |
| <b>Audio</b>                 | Audio Line in(Optional)  |
| Mechanical                   |  |
| <b>Dimension</b>             | 277 x 294.4 x 59.7 mm  |
| <b>Mounting</b>              | VESA Mount   |
| <b>Enclosure</b>             | Metal Housing with Aluminum Bezel  |
| <b>Cooling System</b>        | Fanless Design   |

## Accessory

### Accessory

User Manual  
Touch Driver CD  
Open Wire Cable

**Optional Accessory** Mounting Bracket(Optional)

## Power

### Power Rating

12V DC (MIL-DTL-38999/1 connector)  
9V to 36V wide range (Optional)

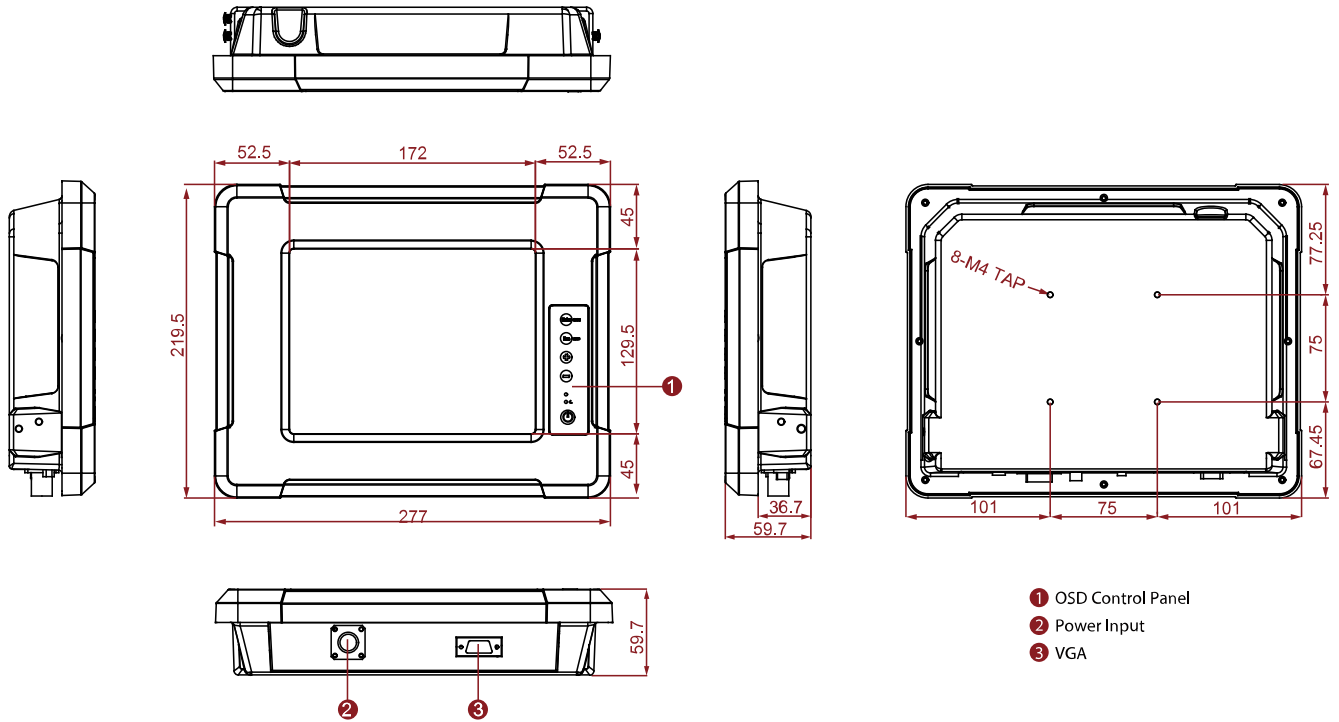
## Control

### Button

5 Keys: -, +, Power, Esc, Enter  
(with LED Indicators: Power on, Stand by)

## DIMENSIONS

UNIT:MM



## NOTE

1. This is a simplified drawing and some components are not marked in detail.
2. Please contact our sales representative if you need further product information.
3. All specifications are subject to change without prior notice.
4. The product shown in this datasheet is a standard model. For diagrams that contain customized or optional I/O, please contact the Winmate Sales Team for more information.