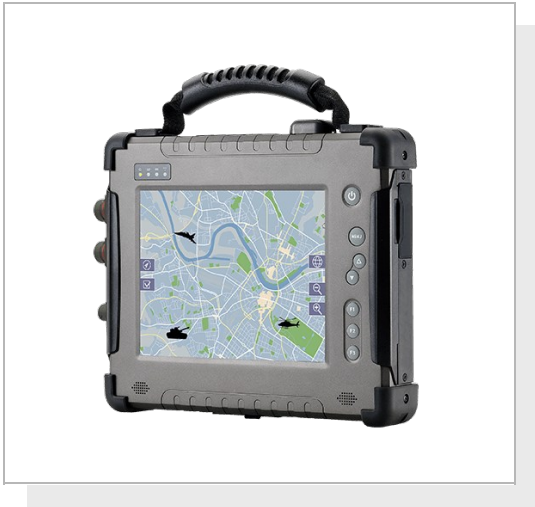


R08IP8M-RTU1ML

8.4" Ultra Rugged Tablet PC



KEY FEATURES

- 8.4" 800 x 600 Resolution Transflective TFT-LCD Panel
- Adjustable Kickstand that is Convertible to a handle
- Ecological seals protect ports as well as connectors from moisture and dust
- Intel® Pentium® N4200 Apollo Lake Processor
- Magnesium Alloy Housing with All-Around Elastomeric Rubber
- MIL-STD-38999 connector for LAN/USB2.0, RS232/RS422 and DC Power Input
- With daylight-readable screen 600 nits optical bonding for clarity increasing and readability enhancing

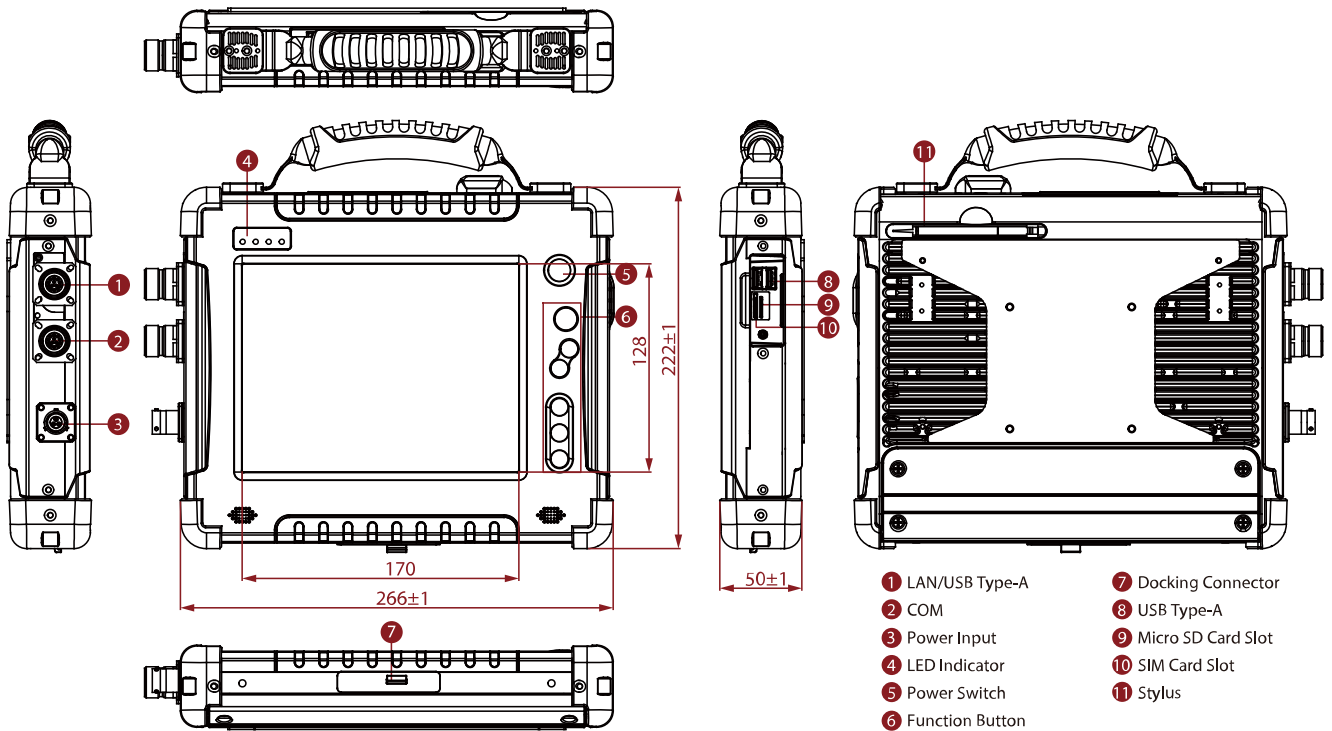


SPECIFICATIONS

Display			
Resolution	800x600	Size	8.4 inches
Contrast Ratio	600:1	Panel Brightness	600 nits
View Angles	75,75,60,70	Type	Resistive Touch Screen
System Specification			
Processor	Intel® Pentium® N4200 Apollo Lake 1.1 GHz (up to 2.5 GHz)	Memory	SO-DIMM, 4GB DDR3L 1866 MHz SO-DIMM, 8GB DDR3L 1866 MHz (Optional)
Storage	64GB M.2 SSD 128GB M.2 SSD(Optional) 256GB M.2 SSD(Optional) 512GB M.2 SSD(Optional)	Security	TPM 2.0
Operating System	Windows 10 IoT Enterprise 64bit	WLAN	802.11 a/b/g/n/ac
BT	Support	WWAN	4G/ LTE or 3G(Optional)
GNSS	Supports GPS GLONASS, Galileo, BeiDou(Optional)		
Mechanical			
Dimension	266 x 222 x 50 mm	Enclosure	Aluminum Magnesium Alloy Housing with Protective Rubber
Cooling System	Fanless Design		
Power			
Battery	11.1V, 5200mAh Lithium-Ion Battery (6cells)	Battery Operating Time	8 Hours
Power Rating	9-36V DC in (MIL-DTL-38999/1 connector)	Adapter	100-240V, 50-60Hz / 19V DC
Environment			
Operating Humidity	10% to 90% RH, non-condensing	Operating Temperature	-20°C to 60°C (AC mode), -10°C to 50°C (Battery mode)
Storage Temperature	-30°C to 70°C (-22°F to 158°F)	Shock	MIL-STD-810G Method 516.6 Procedure I
Vibration	MIL-STD-810G Method 514.6 Procedure I	IP rating	IP54
Drop	MIL-STD-810G Method 516.6, 4 ft		
Certification			

Certification	CE, FCC		
Control			
Button	1 x Power, 1 x Menu, 3 x Function Key, 2 x Brightness Control Key		
Accessory			
Accessory	Adapter and Power Cord Standard Battery Quick Start Guide Manual & Driver CD Touch Stylus MIL-STD-38999 cable for External connecting	Optional Accessory	Adjustable Kickstand(Optional) Multi-functional Desktop Docking station(Optional) Vehicle Mounting Charger Kit(Optional) Car Power Charger(Optional) Hand Strap(Optional) Shoulder Strap(Optional) Soft Shell Case(Optional) Carry Bag(Optional)
IO Ports			
USB Port	2 x USB 3.0, 1 x USB 2.0(MIL-STD-38999 connector)	Serial Port	1 x RS232/RS422 Serial COM Port(MIL-STD-38999 connector)
SD Card Slot	1 x Micro SD Slot	SIM Card Slot	1 x Micro SIM Card Slot
Audio	2 x 1 Watt Speaker	LAN	1 x RJ45-10/100/1000 Mbps LAN(MIL-STD-38999 connector)
Indicator	4x LED Indicator for Power, Battery, SSD, RF status		
Camera			
Front Camera	2MP Front Camera(Optional)	Rear Camera	5MP Rear Camera with auto-focus(Optional)

DIMENSIONS UNIT:MM



*MIL-STD-38999 connector for LAN/USB2.0, RS232/RS422 and DC Power Input.

NOTE

1. Measured at dimming LCD brightness. Varies depending on the usage conditions or when an external device is attached.
2. This is a simplified drawing, and some components are not marked in detail.