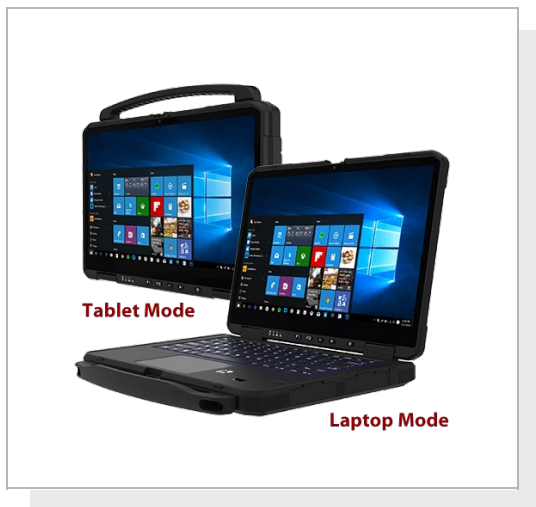


# L140TG-4

## 14" Intel® Core™ i5-1135G7 Rugged Laptop



### KEY FEATURES

- 11th Gen. Intel® Processor Family – Tiger Lake Processor
- Fanless Cooling System
- 14" 1920 x 1080 LED panel with direct optical bonding
- Anti-glare technology for sunlight readability
- Flip design for quick switching between laptop and tablet modes
- Dual battery with hot-swappable design for whole-day-work
- Expansion slot supporting optional 2nd removable SSD and smart card reader

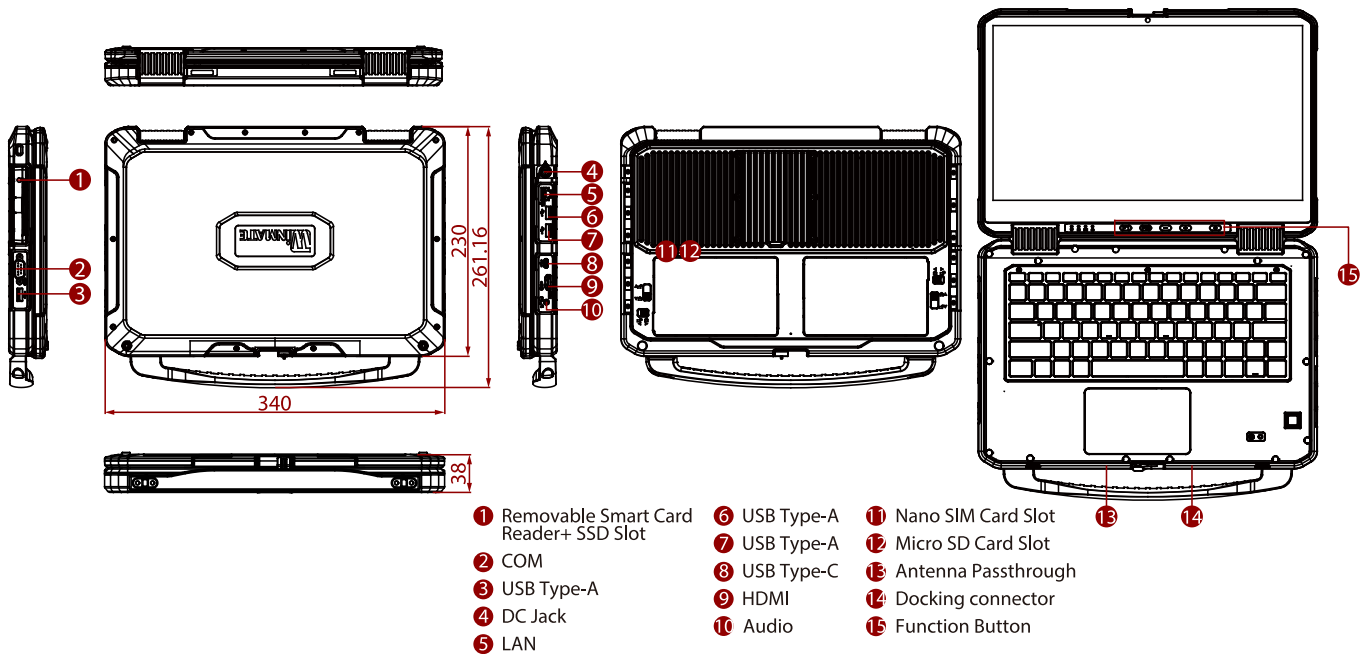


### SPECIFICATIONS

Display			
<b>Bonding</b>	Optical Bonding for Sunlight Viewability	<b>Resolution</b>	1920x1080
<b>Size</b>	14 inches	<b>Contrast Ratio</b>	800:1
<b>Panel Brightness</b>	700 nits	<b>View Angles</b>	85,85,85,85
<b>Type</b>	Projected Capacitive Multi Touch		
System Specification			
<b>Processor</b>	Intel® Core™ i5-1135G7 @ 2.40GHz, up to 4.20GHz 8M Cache; 4 cores	<b>Memory</b>	8GB SODIMM DDR4-2133 16GB SODIMM DDR4-2133 (Optional) 32GB SODIMM DDR4-2133 (Optional)
<b>Storage</b>	256GB M.2 SSD 512GB M.2 SSD (Optional) 1TB M.2 SSD (Optional) 2TB M.2 SSD (Optional) Additional storage available with up to 2TB M.2 (PCIe NVMe) SSD, self-encrypted. (Optional)	<b>Ethernet controller</b>	1 x RJ45-10/100/1000 Mbps LAN
<b>Security</b>	Trusted Platform Module (TPM) 2.0 Kensington Lock	<b>Operating System</b>	Windows 10 IoT Enterprise (64 bit)
<b>WLAN</b>	Support	<b>BT</b>	Support
<b>WWAN</b>	4G LTE (Optional)	<b>GNSS</b>	GPS/GLONASS
<b>RFID</b>	HF RFID (Optional)	<b>Smart Card Reader</b>	Smart Card Reader (Optional)
<b>Fingerprint Scanner</b>	Fingerprint scanner (Optional)		
Camera			
<b>Front Camera</b>	2MP front camera	<b>Rear Camera</b>	8MP rear camera with autofocus and LED light (Optional)
Mechanical			
<b>Dimension</b>	340 x 230 x 38 mm	<b>Weight</b>	2.55kg
<b>Cooling System</b>	Fanless thermal design		
IO Ports			
<b>USB Port</b>	3 x USB 3.0 (Type A), 1 x USB 3.0 (Type C)	<b>Serial Port</b>	1 x RS232 (DB9)
<b>SD Card Slot</b>	1 x Micro SDXC Slot	<b>SIM Card Slot</b>	1 x Nano SIM card slot
<b>Video</b>	1 x HDMI 2.0b	<b>Audio</b>	1 x Audio Jack (mic in/line out)
<b>Expansion Port</b>	1 x Expansion slot for smart card reader and removable SSD (Optional)	<b>LAN</b>	1 x RJ45-10/100/1000 GigaLAN port

<b>Indicator</b>	4x LED Indicator for Power, Battery, HDD, RF status	<b>Docking Connector</b>	1 x docking connector
<b>Environment</b>			
<b>Operating Humidity</b>	10% to 90% RH, non-condensing	<b>Operating Temperature</b>	-20°C to 60°C (AC mode), -10°C to 50°C (Battery mode)
<b>Storage Temperature</b>	-30°C to 70°C	<b>Shock</b>	MIL-STD-810H Method 516.8 Procedure I
<b>Vibration</b>	MIL-STD-810H Method 514.8 Procedure I	<b>IP rating</b>	IP65 certified, dustproof and waterproof
<b>Drop</b>	MIL-STD-810H Method 516.8, 3 ft		
<b>Certification</b>			
<b>Certification</b>	CE, FCC		
<b>Security Function</b>			
<b>SOTI MobiControl</b>	SOTI MobiControl Compliance	<b>Kensington Lock</b>	Kensington Lock Support
<b>Control</b>			
<b>Button</b>	1 x Power, 2 x volume key, 2 x Programmable Function Keys		
<b>Power</b>			
<b>Battery</b>	Hot-swappable 2 x 10.8V typ. 2400 mAh Li-Polymer Battery (3S1P)	<b>Battery Operating Time</b>	Standard Battery: 9 hours
<b>Power Rating</b>	19V DC	<b>Adapter</b>	100-240V, 50-60Hz (19V DC)
<b>Accessory</b>			
<b>Accessory</b>	Adapter and Power Cord Standard Battery	<b>Optional Accessory</b>	Spare Battery (Optional) Battery Charger (Optional) Vehicle Charger (Optional)
<b>Barcode Scanner</b>			

## DIMENSIONS UNIT:MM



## NOTE

/ Disclaimer /

1. Accessories and Integrated Options may vary depending on your configuration.
2. Total usable memory and storage will be less dependent upon actual system configuration.
3. The actual transfer speed will vary depending on many factors including the processing speed of the host device, file attributes, and other factors related to the system configuration and your operating environment.
4. The USB Type-C connector follows USB 3.0 standard, which does not support Alternate Mode (ALT) or USB Power Delivery (USB-PD).
5. The battery life is measured at dimming LCD brightness. Varies depending on the usage conditions, or when an external device is attached.
6. The 2D drawing is simplified drawing and some components are not marked in detail.
7. Length measurements do not include protrusions. Weight varies with options.
8. TPM 2.0 available upon request.
9. SOTI is available upon request.
10. The product shown in this datasheet is a standard model. For diagrams that contain customized or optional I/O, please contact the Winmate Sales Team for more information.