

L140TG-3

13.3" Intel® Core™ i5-1135G7 Rugged Laptop



KEY FEATURES

- 11th Gen. Intel® Processor Family – Tiger Lake Processor
- Fanless Cooling System
- 13.3" 1920 x 1080 LED panel with direct optical bonding
- Anti-glare technology for sunlight readability
- Flip design for quick switching between laptop and tablet modes
- Dual battery with hot-swappable design for whole-day-work
- Expansion slot supporting optional 2nd removable SSD and smart card reader

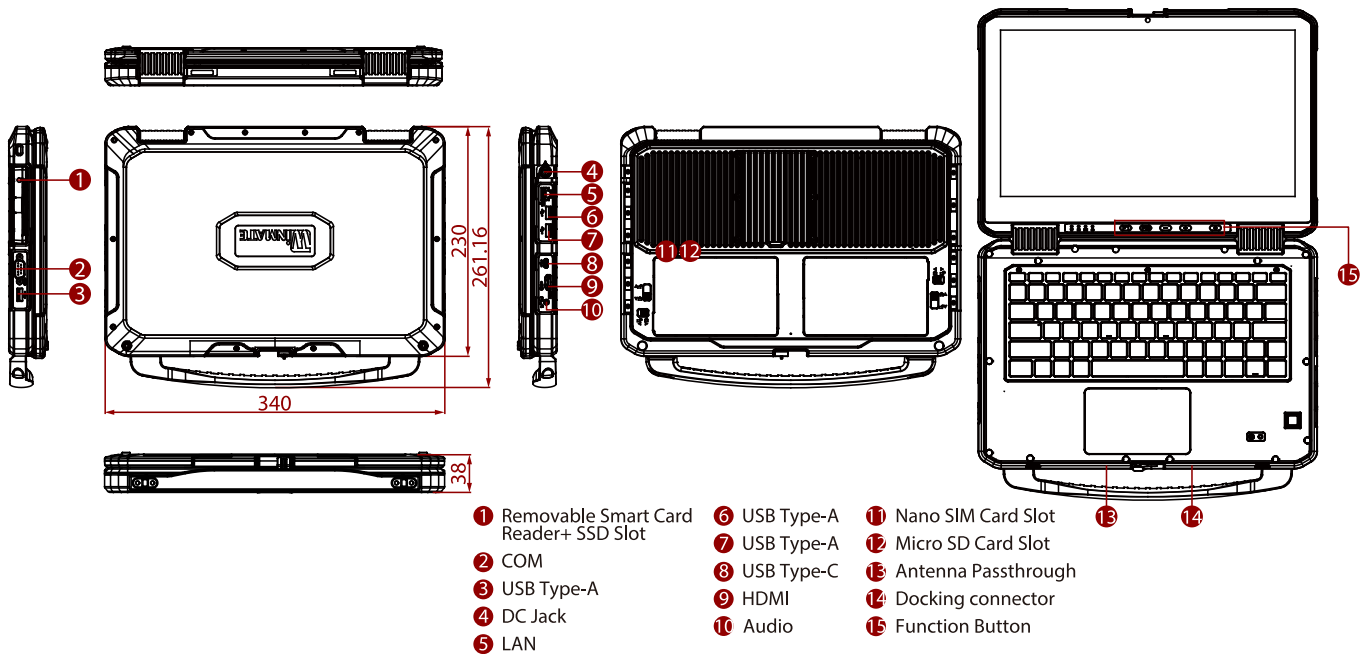


SPECIFICATIONS

| Display | |
|----------------------------|--|
| Resolution | 1920x1080 |
| Contrast Ratio | 1000:1 |
| View Angles | 89,89,89,89 |
| Type | Projected Capacitive Multi Touch |
| Size | 13.3 inches |
| Panel Brightness | 500 nits |
| Bonding | Optical Bonding for Sunlight Viewability |
| System Specification | |
| Processor | Intel® Core™ i5-1135G7 @ 2.40GHz, up to 4.20GHz 8M Cache; 4 cores |
| Storage | 256GB M.2 SSD 512GB M.2 SSD (Optional) 1TB M.2 SSD (Optional) 2TB M.2 SSD (Optional) Additional storage available with up to 2TB M.2 (PCIe NVMe) SSD, self-encrypted. (Optional) |
| Security | Trusted Platform Module (TPM) 2.0 Kensington Lock |
| WLAN | Support |
| WWAN | 4G LTE (Optional) |
| RFID | HF RFID (Optional) |
| Fingerprint Scanner | Fingerprint scanner (Optional) |
| Memory | 8GB SODIMM DDR4-2133 16GB SODIMM DDR4-2133 (Optional) 32GB SODIMM DDR4-2133 (Optional) |
| Ethernet controller | 1 x RJ45-10/100/1000 Mbps LAN |
| Operating System | Windows 10 IoT Enterprise (64 bit) |
| BT | Support |
| GNSS | GPS/GLONASS |
| Smart Card Reader | Smart Card Reader (Optional) |
| Camera | |
| Front Camera | 2MP front camera |
| Rear Camera | 8MP rear camera with autofocus and LED light (Optional) |
| Mechanical | |
| Dimension | 340 x 230 x 38 mm |
| Weight | 2.55kg |
| Cooling System | Fanless thermal design |
| IO Ports | |
| USB Port | 3 x USB 3.0 (Type A), 1 x USB 3.0 (Type C) |
| SD Card Slot | 1 x Micro SDXC Slot |
| Video | 1 x HDMI 2.0b |
| Expansion Port | 1 x Expansion slot for smart card reader and removable SSD (Optional) |
| Serial Port | 1 x RS232 (DB9) |
| SIM Card Slot | 1 x Nano SIM card slot |
| Audio | 1 x Audio Jack (mic in/line out) |
| LAN | 1 x RJ45-10/100/1000 GigaLAN port |

| | | | |
|----------------------------|---|-------------------------------|--|
| Indicator | 4x LED Indicator for Power, Battery, HDD, RF status | Docking Connector | 1 x docking connector |
| Environment | | | |
| Operating Humidity | 10% to 90% RH, non-condensing | Operating Temperature | -20°C to 60°C (AC mode), -10°C to 50°C (Battery mode) |
| Storage Temperature | -30°C to 70°C | Shock | MIL-STD-810H Method 516.8 Procedure I |
| Vibration | MIL-STD-810H Method 514.8 Procedure I | IP rating | IP65 certified, dustproof and waterproof |
| Drop | MIL-STD-810H Method 516.8, 3 ft | | |
| Certification | | | |
| Certification | CE, FCC | | |
| Security Function | | | |
| SOTI MobiControl | SOTI MobiControl Compliance | Kensington Lock | Kensington Lock Support |
| Control | | | |
| Button | 1 x Power, 2 x volume key, 2 x Programmable Function Keys | | |
| Power | | | |
| Battery | Hot-swappable 2 x 10.8V typ. 2400 mAh Li-Polymer Battery (3S1P) | Battery Operating Time | Standard Battery: 9 hours |
| Power Rating | 19V DC | Adapter | 100-240V, 50-60Hz (19V DC) |
| Accessory | | | |
| Accessory | Adapter and Power Cord Standard Battery | Optional Accessory | Spare Battery (Optional) Battery Charger (Optional) Vehicle Charger (Optional) |
| Barcode Scanner | | | |

DIMENSIONS UNIT:MM



NOTE

/ Disclaimer /

1. Accessories and Integrated Options may vary depending on your configuration.
2. Total usable memory and storage will be less dependent upon actual system configuration.
3. The actual transfer speed will vary depending on many factors including the processing speed of the host device, file attributes, and other factors related to the system configuration and your operating environment.
4. The USB Type-C connector follows USB 3.0 standard, which does not support Alternate Mode (ALT) or USB Power Delivery (USB-PD).
5. The battery life is measured at dimming LCD brightness. Varies depending on the usage conditions, or when an external device is attached.
6. The 2D drawing is simplified drawing and some components are not marked in detail.
7. Length measurements do not include protrusions. Weight varies with options.
8. TPM 2.0 available upon request.
9. SOTI is available upon request.
10. The product shown in this datasheet is a standard model. For diagrams that contain customized or optional I/O, please contact the Winmate Sales Team for more information.