

FM10Q

10.4" Android Vehicle Mounted Computer with Qualcomm® Snapdragon™ 660 Quad core



KEY FEATURES

- 10.4" 1024 x 768 Panel with PCAP touchscreen
- Field replaceable front panel to reduce service costs
- IP65 waterproof and dustproof
- Qualcomm Snapdragon™ 660 octa-core, 2.2 GHz CPU
- Wide range -30°C to 50°C operating temperature



SPECIFICATIONS

Display			
Resolution	1024x768	Size	10.4 inches
Contrast Ratio	1200:1	Panel Brightness	400 (Optional 800) nits
View Angles	88,88,88,88	Type	Projected Capacitive Multi Touch
Touch Mode	With Stylus, Gloves Support		
System Specification			
Processor	Qualcomm® Snapdragon™ 660 (Octa-Core 2.2 GHz)	Memory	3GB
Storage	32GB	Operating System	Android 9.0
WLAN	802.11 a/b/g/n/ac mode	BT	BT Support
WWAN	4G/LTE(Optional)	GNSS	GPS/AGPS
Sensors	G-Sensor, Temp. Sensor		
Camera			
Front Camera	2MP Camera		
Mechanical			
Dimension	Tablet: 268 x 214 x 35 mm (10.6 x 8.42 x 1.37 inches) Docking: 202 x 245 x 52 mm (7.9 x 9.6 x 2.04 inches)	Weight	Tablet 1.7 kg (3.75 lbs) Docking 1.6 kg (3.53 lbs)
Mounting	RAM Mount/ Vesa Mount	Cooling System	Fanless Design
Housing	Magnesium Alloy Housing		
IO Ports			
USB Port	1 x USB 3.0 Type C (OTG)(Tablet) 1 x DB9 Connector for 2 x USB 2.0 Port(Docking)	Serial Port	2 x COM Port(Docking)
SD Card Slot	1 x Micro SD Card Slot(Tablet)	SIM Card Slot	1 x Dual-Nano SIM Card Slot(Tablet)
Audio	2 x Speaker(Docking) 1 x CANBus or 1 x Audio(Docking)	LAN	1 x Gigabit LAN port(Docking)
Indicator	4 x LED Indicator (Wi-Fi, BT, UPS battery, HDD, Screen Blanking, Heater)		
Environment			
Operating Humidity	5% to 95% RH, Non-Condensing	Operating Temperature	-30°C to 50°C

Storage Temperature	-30°C to 70°C	Shock	MIL-STD-810G Method 516.6 Procedure I
Vibration	MIL-STD-810G Method 514.6 Procedure I	IP rating	IP65 Certified, Waterproof and Dustproof
Impact	Support EN62262 IK07 Rating	ESD	Compliant with EN 61000-4-2, Enhanced ESD to ±8kV Direct & ±15kV Air

Certification

Certification CE, FCC

Control

Button 1 x Power Button, 6 x Function Button (Programmable Function Key Configured by Winset)

Power

Battery	7.6V UPS Battery (2S1P) Minimum 30 minutes	Power Rating	Docking: 10V-60V with ignition control Tablet: 12V DC In
----------------	---	---------------------	---

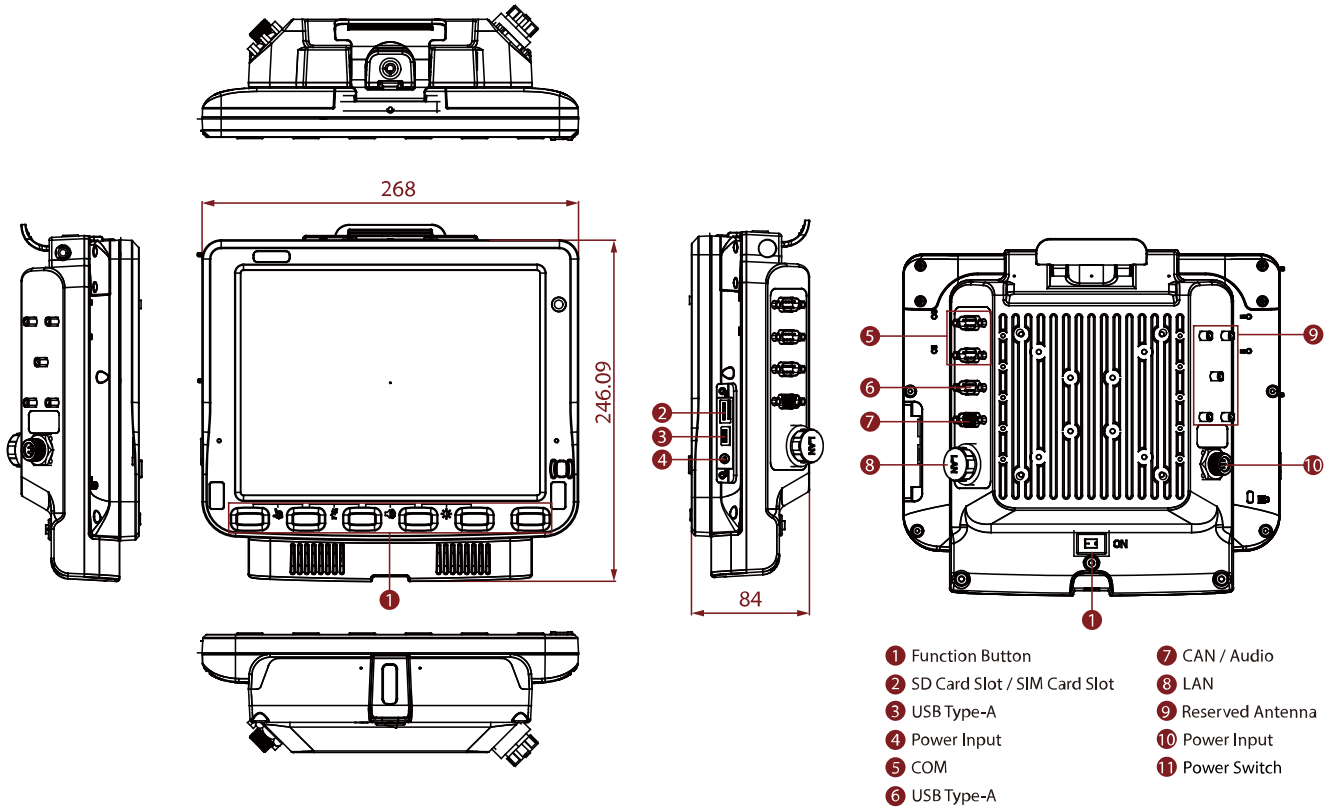
Security Function

SOTI MobiControl SOTI MobiControl Compliance

Accessory

Accessory	Dock + Latch Locking Key 5 m Power Cable with Fuse Kit 0.3 m USB Cable 0.15 m Power Converter Cable Cable Clamp Kit Wi-Fi Antenna x 2 Quick Start Guide 84W Adapter with power cable External Antenna Fixing Bracket	Optional Accessory	2 m DC Jack Power Cable 1.2 M 120 Watt Adapter (For Heater Model) 4.2 m Adapter with Power Cable 1.8 m RS232 Cable 0.3 m Audio Cable 1.8 m CAN BUS Y Cable 2 m IP65 LAN Cable Wi-Fi Antenna x 1 15A, 250V, VDA Type Fuses Spare Key for Vehicle Dock DC 12C/ 2A Output UHF Fixed Reader GPS & LTE 2M Combo Antenna(VM240) GPS & LTE 5M Combo Antenna (VM9C) GPS & LTE & Wi-Fi Magnetic Combo Antenna (VM10S) Mounting Kit 1 No Drill Mounting Kit 2 Drill Mounting Kit 3 Keyboard Mounting Stylus Kit + Screw
------------------	--	---------------------------	--

DIMENSIONS UNIT:MM



NOTE

1. Total usable memory will be less dependent upon actual system configuration.
2. CANBus and audio are mutually exclusive.
3. The heater is a customized feature available by request.
4. SOTI is available upon request.
5. Length measurements do not include protrusions. Weight varies with options.
6. Measured at dimming LCD brightness. Varies depending on the usage conditions, or when an external device is attached.
7. Accessories may vary depending on your configuration.
8. Two Wi-Fi antennas are included in the standard package.
9. The product shown in this datasheet is a standard model. For diagrams that contain customized or optional I/O, please contact the Winmate Sales Team for more information.
10. Please order one bracket for one antenna. For example, if you plan to use two antennas, please order two brackets.
11. Notice that only one antenna is included in the package. If you plan to use the WWAN function please order two WWAN antennas.
12. This is a simplified drawing and some components are not marked in detail.