

FM08

8" Vehicle Mounted Computer with QWERTY Keypad



KEY FEATURES

- Intel® Quad Core™ Atom E3845 Processor , 1.91 GHz
- Magnesium Alloy Housing with a Fan-Less & Robust Design
- QWERTY Keypad
- SOTI MobiControl compatible
- Supports Windows 10 IoT Enterprise, Windows Embedded 8.1 Industry Pro, Windows 7 Professional for Embedded system, Windows Embedded Standard 7
- Wide Operating Temperature Range -30°C to 50°C

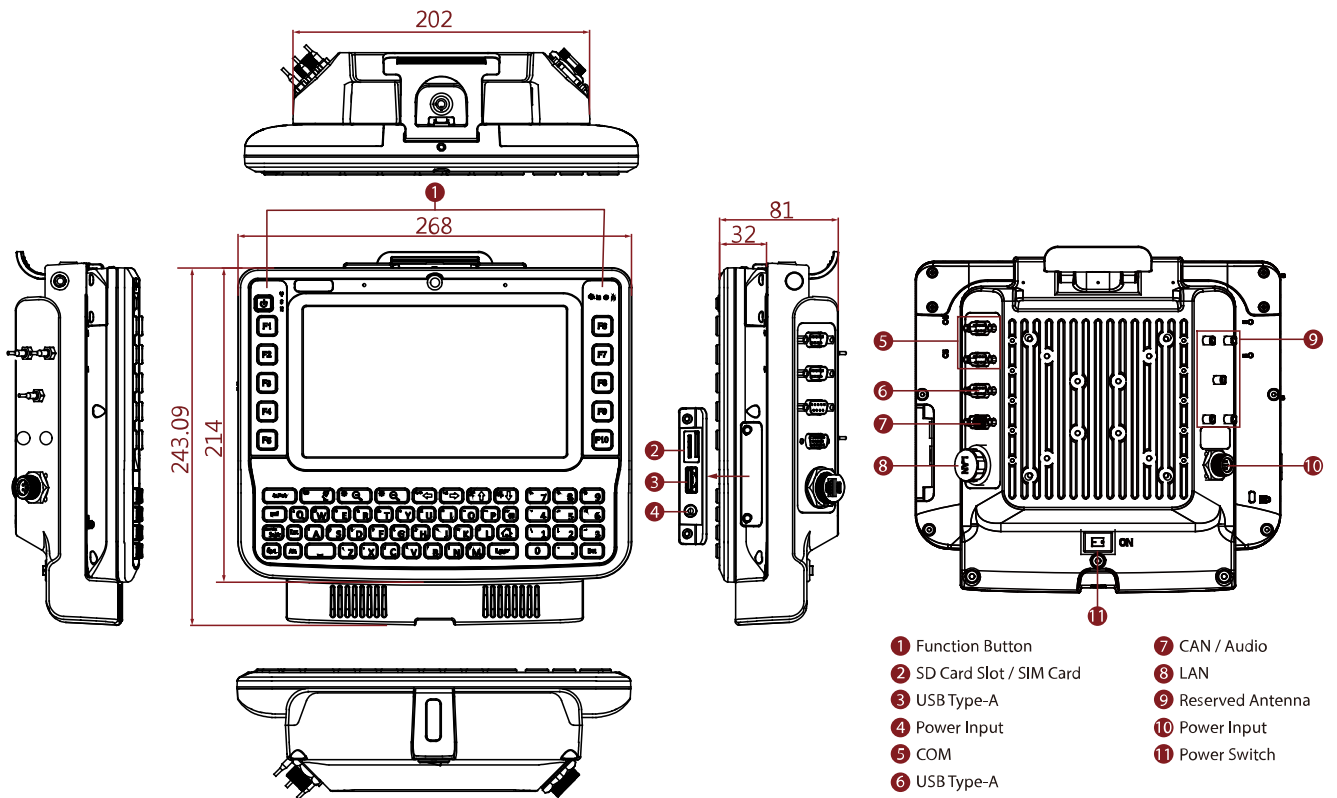


SPECIFICATIONS

Display	
Resolution	800x480
Contrast Ratio	1100:1
View Angles	80,80,80,80
Touch Mode	With Stylus Support
Size	8.0 inches
Panel Brightness	500 nits
Type	Resistive Touch
System Specification	
Processor	Intel Quad-Core Atom E3845 Processor , 1.91 GHz
Storage	64GB M.2 SSD 128GB M.2 SSD(Optional) 256GB M.2 SSD(Optional)
WLAN	802.11 a/b/g/n/ac mode
WWAN	4G/LTE(Optional)
Sensors	G-Sensor, Light Sensor ,Temp Sensor
Memory	4GB SODIMM DDR3L-1600 8GB SODIMM DDR3L-1600(Optional)
Operating System	Windows 10 IoT Enterprise Windows Embedded 8.1 Industry Pro(Optional) Windows 7 Professional for Embedded System(Optional) Windows Embedded Standard 7(Optional)
BT	BT Support
GNSS	GPS/AGPS
Camera	
Front Camera	2MP Camera
Environment	
Operating Humidity	5% to 90% RH, Non-Condensing
Operating Temperature	-20°C to 60°C AC Mode: -20°C to 50°C (-4°F to 122°F) Batter Mode: -10°C to 50°C (14°F to 122°F) with Optional Heater: -30°C to 50°C (-22°F to 122°F)
Storage Temperature	-30°C to 60°C
Vibration	MIL-STD-810G Method 514.6 Procedure I
Shock	MIL-STD-810G Method 516.6 Procedure I, 30 g for 18 ms
Impact	Support EN62262 IK70 Rating
IP rating	IP65 Certified, Waterproof and Dustproof
ESD	Compliant with EN 61000-4-2, enhanced ESD to ±12kV direct & ±15kV air
Certification	
Certification	CE, FCC, UL60950-1, EN60950-1, PTCRB, FCC (Electromagnetic Emissions), IC (ICES-003)

Control			
Button	QWERTY keyboard, 1 x Power Button, 10 x Function Button (Programmable Function Key Configured by Winset)		
IO Ports			
USB Port	1 x USB 3.0 1 x USB 2.0 port (Support Two USB 2.0)	Serial Port	2 x COM Port(Docking)
SD Card Slot	1 x Micro SD Card Slot(Tablet)	SIM Card Slot	1 x SIM Card Slot(Tablet)
Audio	2 x Speaker(Docking) 1 x CANBus or 1 x Audio(Docking)	LAN	1 x Gigabit LAN port(Docking)
Indicator	4 x LED Indicator (Wi-Fi, BT, UPS battery, HDD, Screen Blanking, Heater)		
Mechanical			
Dimension	Tablet: 268 x 214 x 35 mm (10.6 x 8.42 x 1.37 inches) Docking: 202 x 245 x 52 mm (7.9 x 9.6 x 2.04 inches)	Weight	Tablet 1.7 kg (3.75 lbs) Docking 1.6 kg (3.53 lbs)
Mounting	RAM Mount/ VESA Mount	Cooling System	Fanless Design
Housing	Magnesium alloy housing		
Security Function			
SOTI MobiControl	SOTI MobiControl Compliance		
Accessory			
Accessory	Dock + Latch Locking Key 5 m Power Cable with Fuse Kit 0.3 m USB Cable 0.15 m Power Converter Cable Cable Clamp Kit Wi-Fi Antenna x 1 Quick Start Guide Driver CD 84W Adapter with Power Cable External Antenna Fixing Bracket	Optional Accessory	2 m DC Jack Power Cable(Optional) 1.2 M 120 Watt Adapter (For Heater Model) (Optional) 4.2 m Adapter with Power Cable(Optional) 1.8 m RS232 Cable(Optional) 0.3 m Audio Cable(Optional) 1.8 m CAN BUS Y Cable(Optional) 2 m IP65 LAN Cable (Optional) Wi-Fi Antenna x 1(Optional) 15A, 250V, VDA Type Fuses(Optional) Spare Key for Vehicle Dock(Optional) DC 12C/ 2A Output UHF Fixed Reader(Optional) GPS & LTE 2M Combo Antenna(VM240) (Optional) GPS & LTE 5M Combo Antenna (VM9C)(Optional) GPS & LTE & Wi-Fi Magnetic(Optional) Combo Antenna (VM10S)(Optional) Mounting Kit 1 No Drill(Optional) Mounting Kit 2 Drill(Optional) Mounting Kit 3 Keyboard Mounting(Optional) Stylus Kit + Screw(Optional)
Power			
Battery	7.6V UPS Battery (2S1P) Minimum 30 minutes	Power Rating	Docking: 10V-60V with ignition control Tablet: 12V DC In

DIMENSIONS UNIT:MM



NOTE

1. Total usable memory will be less dependent upon actual system configuration.
2. SOTI is available upon request.
3. Length measurements do not include protrusions. Weight varies with options.
4. Measured at dimming LCD brightness. Varies depending on the usage conditions, or when an external device is attached.
5. Accessories may vary depending on your configuration.
6. This is a simplified drawing and some components are not marked in detail.
7. The product shown in this datasheet is a standard model. For diagrams that contain customized or optional I/O, please contact the Winmate Sales Team for more information.