

FM07A

7" Vehicle Mounted Computer



KEY FEATURES

- 7" 1024 x 600 panel with projected capacitive Multi-Touch screen
- Android-based i.MX 6 Dual Core 1 GHz Processor
- M12 waterproof connectors , IP65 waterproof and dustproof
- Shock and vibration resistance according to MIL-STD-810G
- Wide power input 9-24V DC with ignition



SPECIFICATIONS

Display			
Resolution	1024x600	Size	7.0 inches
Contrast Ratio	700:1	Panel Brightness	1000 nits
View Angles	75,75,75,70	Type	Projected Capacitive Multi Touch Screen
System Specification			
Processor	NXP i.MX6 Dual Core, 1.0GHz	Memory	1GB 2GB(Optional)
Storage	Onboard 16GB eMMC Onboard 32GB eMMC(Optional)	Operating System	Linux Ubuntu 18.04(Optional) Android 6.0(Optional) Debian 7.0(Optional) Linux 4.1.15 QT 5.5 (Optional)
Environment			
Operating Humidity	10% to 95% RH	Operating Temperature	-20°C to 60°C
Storage Temperature	-20°C to 60°C	Shock	MIL-STD-810G Method 516.6 Procedure I, 30 g for 18 ms
Vibration	MIL-STD-810G Method 514.6 Procedure I, 1.60/ 1.96/ 2.18 g rms for XYZ/ 5-500 Hz	IP rating	IP65, Dustproof and Waterproof
Impact	Support EN62262 IK70 Rating	ESD	Compliant with EN 61000-4-2, enhanced ESD to ±12kV direct & ±15kV air
Certification			
Certification	CE, FCC, E-mark		
IO Ports			
USB Port	2 x USB for DB9	Serial Port	1 x COM Port
SIM Card Slot	1 x SIM Card Slot	Audio	1x Speaker
LAN	1 x Gigabit Ethernet LAN 10/100/100 Mbps (M12 type)	Indicator	Power, HD
DIDO	DIDO (5XDI ; 3XDO)		
Control			
Button	1 x Power Button, 5x Function Button (Programmable Function Key Configured by Winset)		
Mechanical			
Dimension	188.75 x 144.75 x 39.5 mm	Weight	1.25 kg

Mounting	RAM Mount/ VESA Mount	Cooling System	Fanless Design
Housing	Metal Housing(Back cover aluminum housing) with Plastic Bezel		

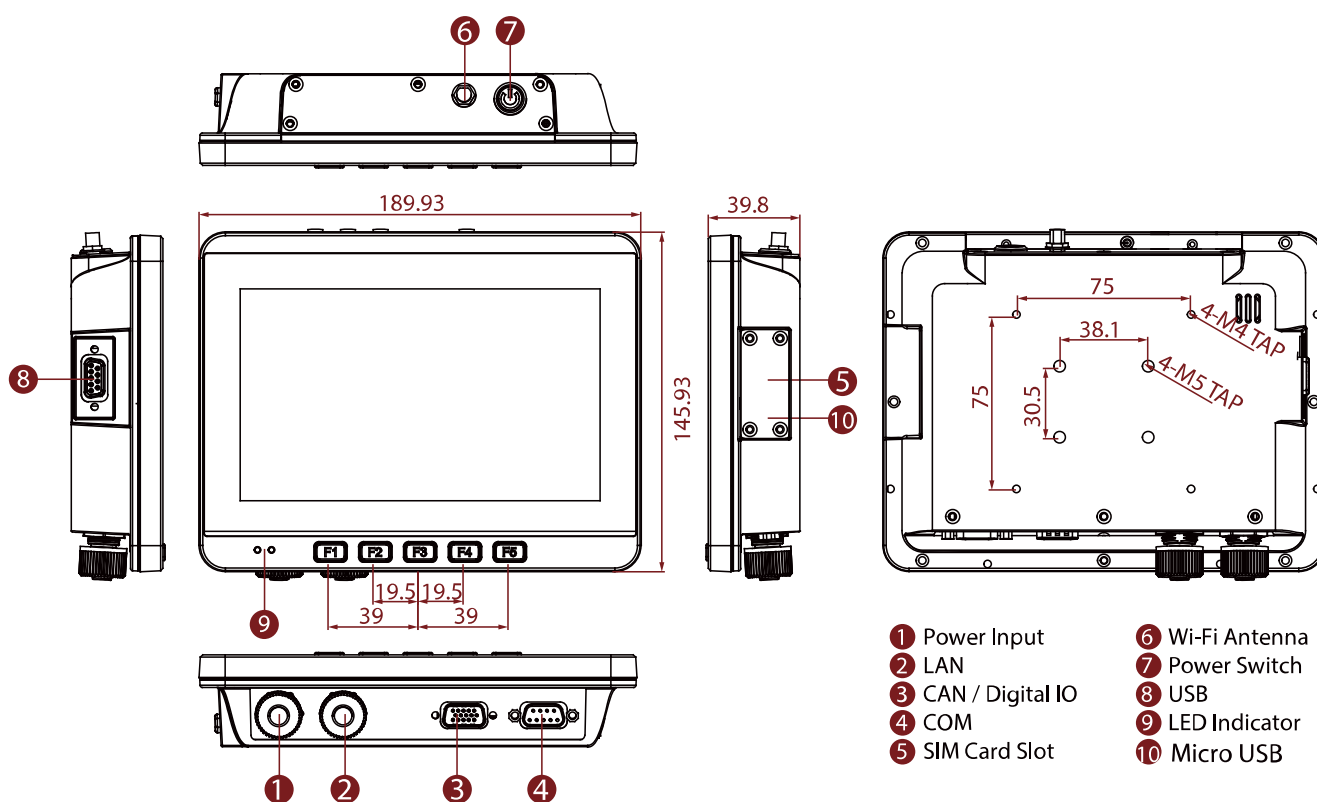
Accessory

Accessory	User Guide Driver CD M12 LAN Cable, 1.8m RS-232 Cable, 1.8m M12 Power Cable, 1.8m USB Cable, 0.3m CANBus Cable, 1.8m Wi-Fi Antenna Power Converter Cable Power Adapter	Optional Accessory	WWAN Antenna x 2(Optional) Audio Cable, 0.3m(Optional) GPS Antenna, 3m(Optional)
------------------	---	---------------------------	--

Power

Power Rating	9V-24V, with ignition control
---------------------	-------------------------------

DIMENSIONS UNIT:MM



NOTE

1. Total usable memory will be less dependent upon actual system configuration.
2. Length measurements do not include protrusions. Weight varies with options.
3. Accessories may vary depending on your configuration.
4. This is a simplified drawing and some components are not marked in detail.
5. The product shown in this datasheet is a standard model. For diagrams that contain customized or optional I/O, please contact the Winmate Sales Team for more information.